



DESCRIPTION : EV CHARGING PLUG HANDLE

PART NO: PEVCF018-07-11

RoHS



ELECTRICAL PARAMETERS:

RATED VOLTAGE : 240V-415V AC
RATED CURRENT : 32A, AC
SIGNAL CURRENT : 2A, <30V DC

MATERIAL AND FINISH

BODY : THERMOPLASTIC
TERMINALS : COPPER ALLOY, SILVER PLATING

CHARGING CABLE : 32A, 3P+DC+DC- +N+PE+PP+CP

DEGREE OF PROTECTION : IP44

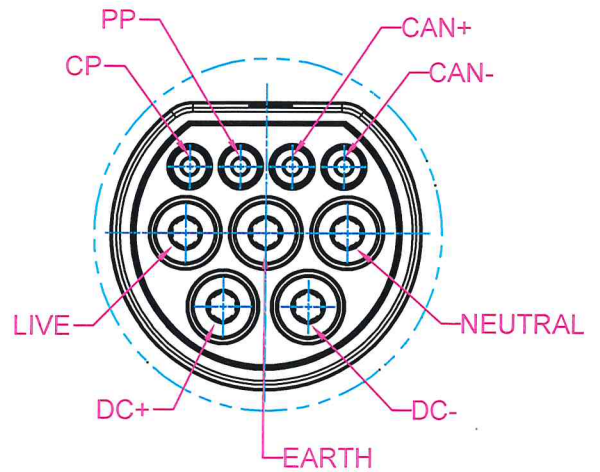
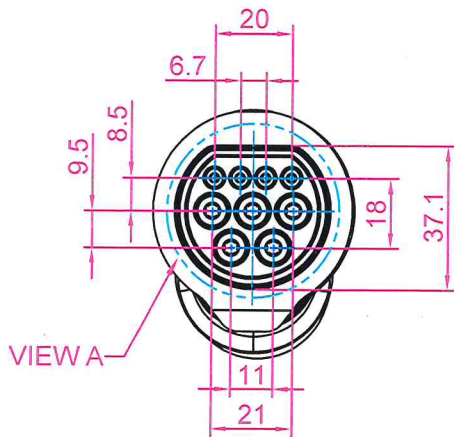
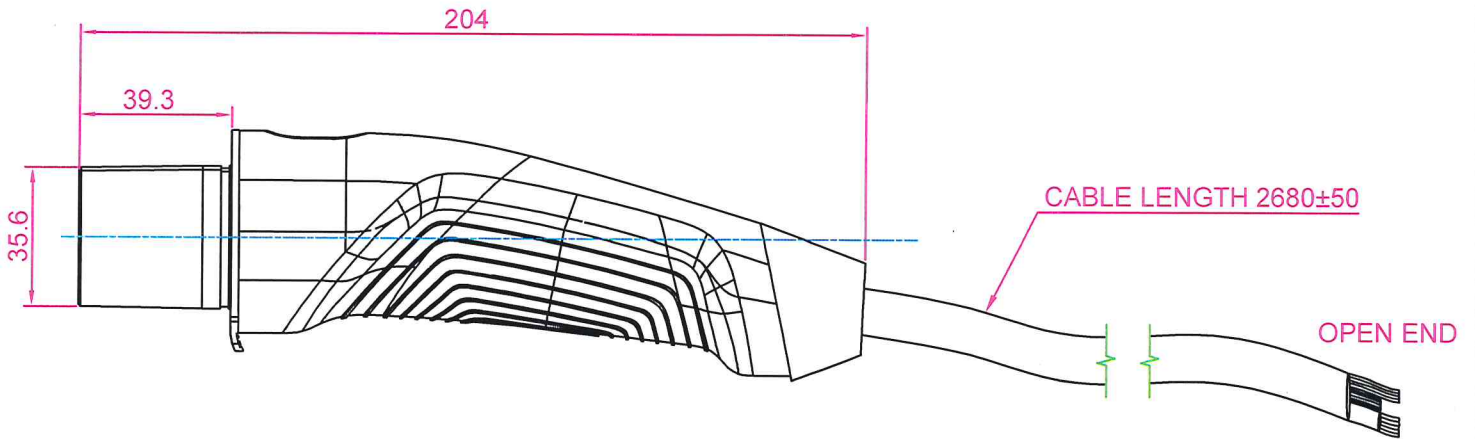
AMBIENT TEMPERATURE : -25°C TO +40°C



PROTECTRON ELECTROMECH (P) LTD

DESCRIPTION : EV CHARGING PLUG HANDLE CONNECTOR

PART NO: PEVCF018-07-11



DETAILS OF VIEW A

REV.	DESCRIPTION	DRN. BY	DATE	CK'ED BY	APP'D BY
A1	DIMENSIONS UPDATED	SHUEAB	20.01.2024	<i>[Signature]</i>	<i>[Signature]</i>
A	ORIGINAL	YESHWANTH	06.07.2023		

Projection: 	Scale: NTS	Sht. Size: A4	Gen. Tol.: ±0.35mm ±2°	ALL DIMENSIONS ARE IN MM. IF UNLESS OTHERWISE SPECIFIED.
-----------------	------------	---------------	---------------------------	---