



PROTECTRON ELECTROMECH (P) LTD

DESCRIPTION : POGO PIN THREADED TYPE

PART NO: P8060P-01-1A

RoHS

PHYSICAL DATA

PLUNGER : COPPER ALLOY, 0.75 μ GOLD PLATING
 BARREL : COPPER ALLOY, 0.1 μ GOLD PLATING
 SPRING : STAINLESS STEEL WIRE

ELECTRICAL DATA

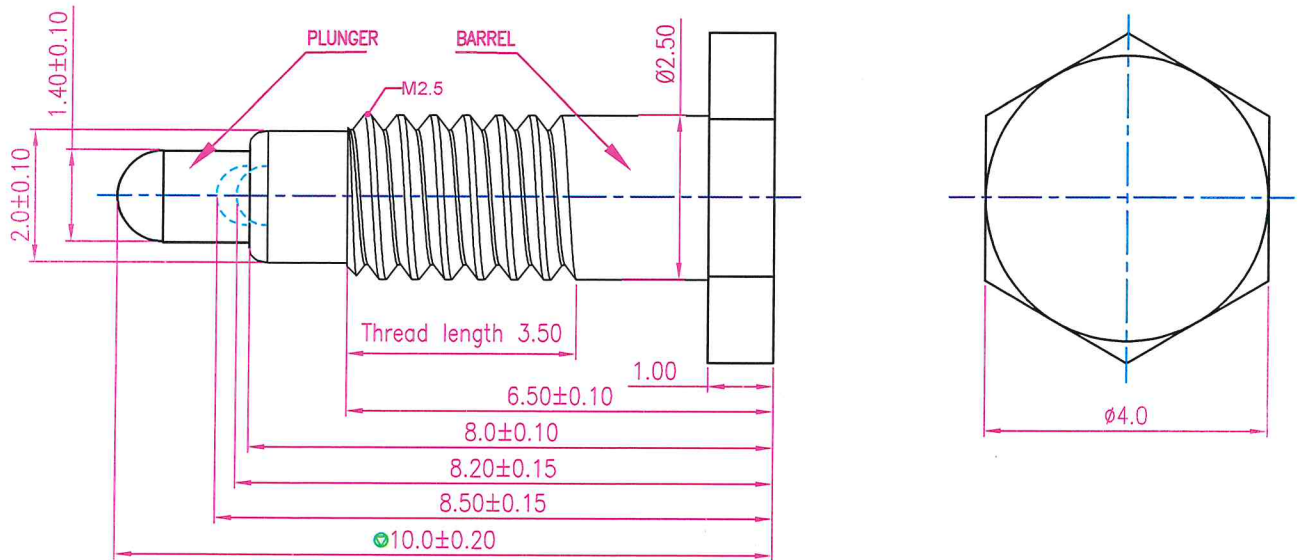
OPERATING VOLTAGE : 12V
 OPERATING CURRENT : 1A
 CONTACT RESISTANCE : 30m OHMS Max.

MECHANICAL DATA

MECHANICAL LIFE : 10000 CYCLES Min.

ENVIRONMENTAL DATA

OPERATING TEMPERATURE : -40°C ~ +85°C



A2	PLATING DETAILS UPDATED	SHUEAB	24.01.2024		
A1	HEXAGONAL HEAD & PLATING DETAILS UPDATED	SHUEAB	17.10.2023		
A	ORIGINAL	SWATHI H	25.02.2023		
REV.	DESCRIPTION	DRN. BY	DATE	CK'ED BY	APP'D BY

Projection: 	Scale: NTS	Sht. Size: A4	Gen. Tol.: ±0.50mm	ALL DIMENSIONS ARE IN MM. IF UNLESS OTHERWISE SPECIFIED.
-----------------	------------	---------------	--------------------	---

<http://www.protectron.in>
protectron@protectron.in