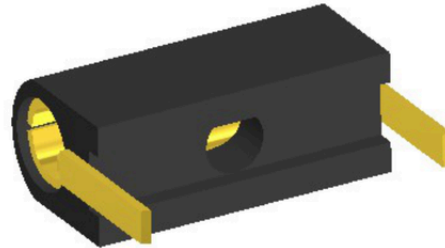


DESCRIPTION : TOP AND SIDE ENTRY JACK TIP
(TEST POINT) ϕ 2.03mm

PART NO: P8020-1X-3X-T
1st X=TYPE OF COLOR
2nd X=TYPE OF PLATING

RoHS



PHYSICAL DATA

MATERIAL

INSULATOR BODY : POLYPROPELENE
CONTACT : BERYLLIUM COPPER.
FINISH : GOLD/SILVER PLATED
PACKAGING TYPE : BULK PACKING

ELECTRICAL DATA

INSULATION RESISTANCE : 10,000 M OHMS MIN.
CONTACT RESISTANCE : 5 m OHMS MAX.
CURRENT RATING : 4A
VOLTAGE RATING : 600 V
DIELECTRIC WITHSTANDING : 2500V RMS

MECHANICAL DATA

INSERTION FORCE : 2.2kg MAX
EXTRACTION FORCE : 0.22kg MIN

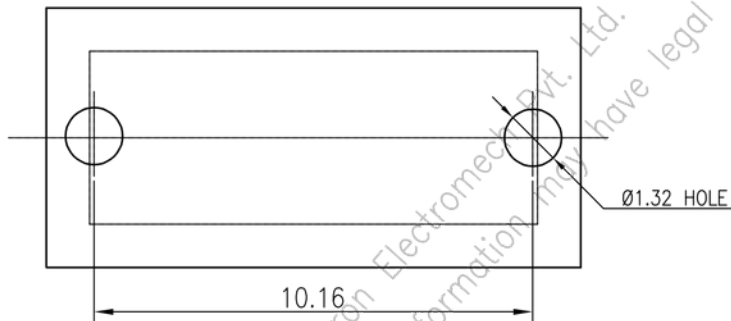
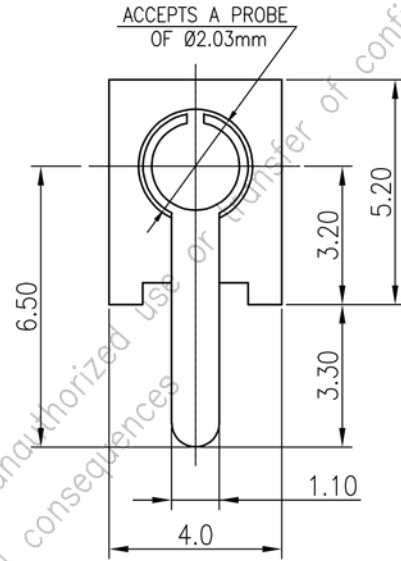
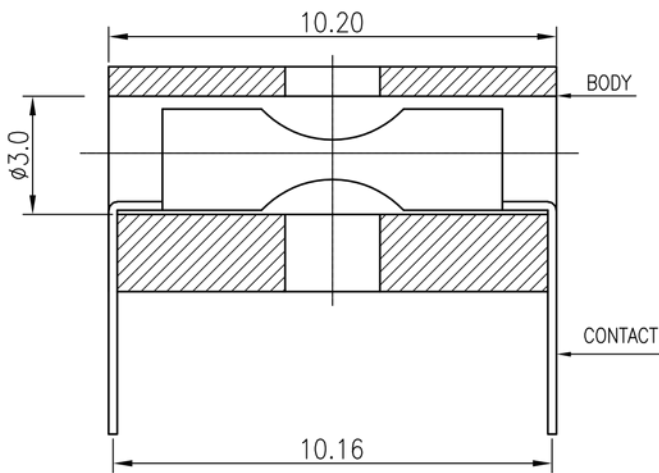
ENVIRONMENTAL DATA

TEMPERATURE RANGE : -40°C TO +70°C



DESCRIPTION : TOP AND SIDE ENTRY JACK TIP
(TEST POINT) ϕ 2.03mm

PART NO: P8020-1X-3X-T
1st X=TYPE OF COLOR
2nd X=TYPE OF PLATING



PCB LAYOUT



DESCRIPTION : TOP AND SIDE ENTRY JACK TIP
(TEST POINT) ϕ 2.03mm

PART NO: P8020-1X-3X-T
1st X=TYPE OF COLOR
2nd X=TYPE OF PLATING

ORDERING INFORMATION

P8020-1X-3X-T

TYPE OF COLOR	
BLACK	0
BROWN	1
RED	2
ORANGE	3
YELLOW	4
GREEN	5
BLUE	6
VIOLET	7
GREY	8
WHITE	9

PLATING	
GOLD PLATED	1
SILVER PLATED	2

Confidential Property of Protectron Electromech Pvt. Ltd. Any unauthorized use or transfer of confidential information may have legal consequences

Projection:



Scale: NTS

Sht. Size: A4

Gen. Tol.: $\pm 0.5\text{mm}$
 $\pm 2'$

ALL DIMENSIONS ARE IN MM.
IF UNLESS OTHERWISE SPECIFIED.