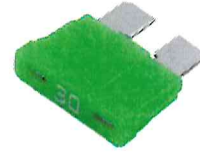




PROTECTRON ELECTROMECH (P) LTD

DESCRIPTION : MIDI BLADE FUSE - SOLDER TYPE
(SHORT LEG TYPE)

PART NO: PTF 200 In-SN
(REFER TABLE)



ELECTRICAL PARAMETERS:

RATED VOLTAGE	:	DC 32V
INTERRUPTING RATING	:	1000A @ 32V DC
COMPONENT LEVEL TEMPERATURE RANGE	:	-40°C TO +105°C
SYSTEM LEVEL TEMPERATURE RANGE	:	-40°C TO +85°C

MATERIAL AND FINISH

BODY	:	NYLON 66
ELEMENT	:	ZINC MATERIAL, 7 μ Sn PLATED 1-2 μ NI UNDERCOAT

PACKING DETAILS:

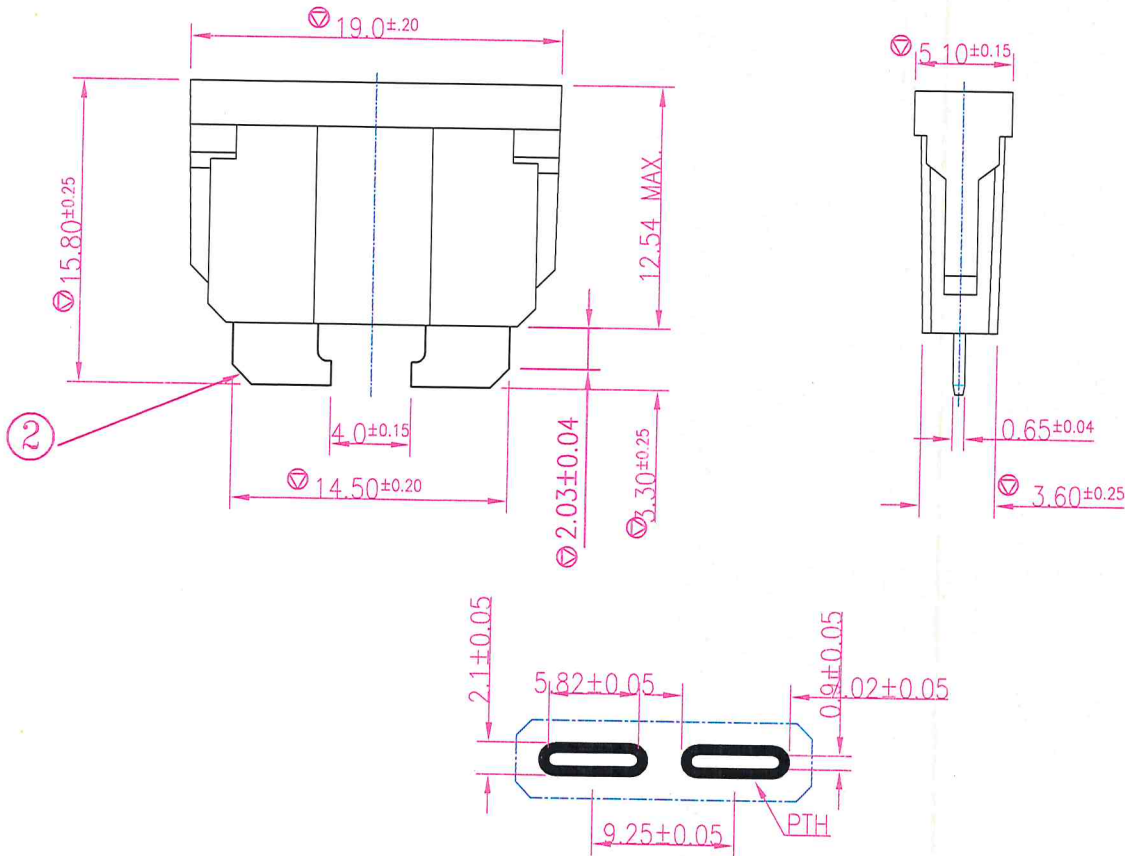
CUSTOMIZED PACKING IS AVAILABLE BASED ON REQUEST



PROTECTRON ELECTROMECH (P) LTD

DESCRIPTION : MIDI BLADE FUSE - SOLDER TYPE
(SHORT LEG TYPE)

PART NO: PTF 200 In-SN
(REFER TABLE)



RECOMMENDED PCB LAYOUT

MARKINGS ON THE FUSE SHOULD BE AS FOLLOWS:-

'AMPERAGE', 'VOLTAGE RATING' AND 'PROTECTRON'(MANUFACTURER)

In = NOMINAL CURRENT (20A TO 40A)

NOMINAL CURRENT RANGE (In)	BODY COLOUR	PART NUMBERS	I ² t VALUE(A ² s)
20A	YELLOW	PTF 200 20A-SN	936
25A	NATURAL	PTF 200 25A-SN	--
30A	GREEN	PTF 200 30A-SN	2106
40A	ORANGE	PTF 200 40A-SN	3744



PROTECTRON ELECTROMECH (P) LTD

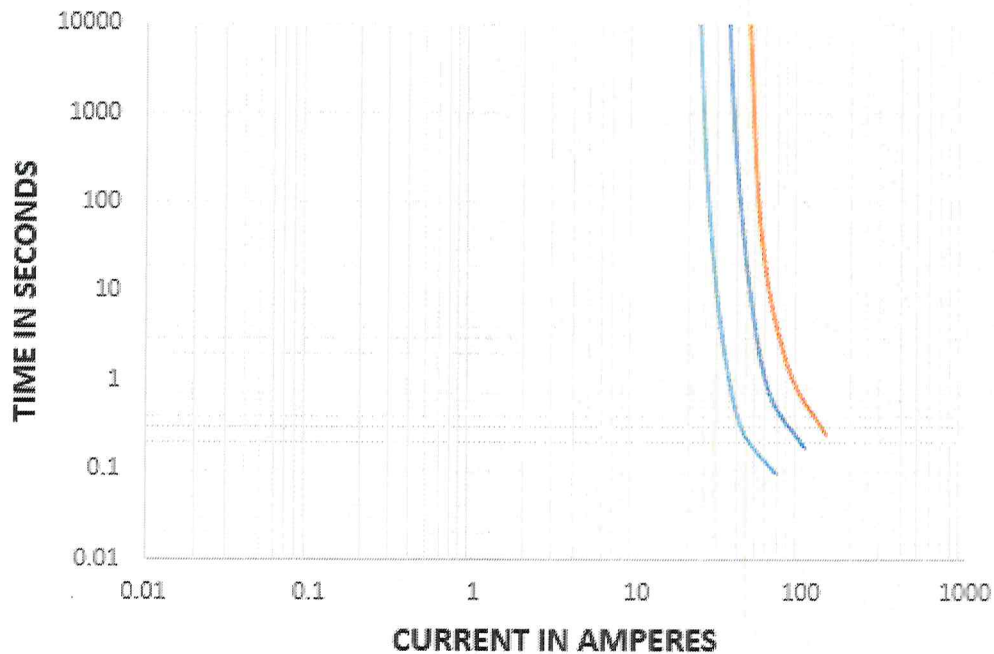
DESCRIPTION : MIDI BLADE FUSE - SOLDER TYPE
(SHORT LEG TYPE)

PART NO: PTF 200 In-SN
(REFER TABLE)

ELECTRICAL CHARACTERISTICS:-

% OF AMPERE RATING	AMPERE RATING	OPENING TIME
110%	25-40Amp	100 Hours Min.
135%	25-40Amp	750 msec., Min.; 600sec, Max.
200%	25-40Amp	150 msec., Min.; 5sec, Max.
350%	25-40Amp	80 msec., Min.; 500msec., Max.

AVERAGE TIME CURRENT CURVE



NOTE:-

- ⊕ CRITICAL DIMENSIONS.
- ACCEPTABLE BURR LEVEL AT MATING AREA : 0.02mm

A3	It VALUES & TC CURVE ADDED	SOUMYA	01.12.2022	<i>[Signature]</i>
A2	DIMENSIONS MODIFIED	SUPRITHA	07.01.2021	<i>[Signature]</i>
A1	CHAMFER DIMENSIONS AND BURR LEVEL DEFINED	AKSHAY	16.12.2019	
A	ORIGINAL	RAMYA	25.02.2019	
REV.	DESCRIPTION	DRN. BY	DATE	CK'ED BY

Projection:



Scale: NTS

Sht. Size: A4

Gen. Tol.: ±0.25mm
±2°

ALL DIMENSIONS ARE IN MM.
IF UNLESS OTHERWISE SPECIFIED.