

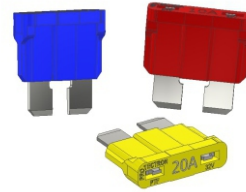


**DESCRIPTION** : MIDI BLADE FUSE –STANDARD PLUG IN TYPE

**PART NO:** PTF 200 In  
(REFER TABLE)



RoHS



### ELECTRICAL PARAMETERS:

RATED VOLTAGE : DC 32V  
INTERRUPTING RATING : 1000A @ 32V DC  
COMPONENT LEVEL TEMPERATURE RANGE : -40°C TO +105°C  
SYSTEM LEVEL TEMPERATURE RANGE : -40°C TO +85°C  
105°C AND 85°C ARE TYPICAL SYSTEM LEVEL TEMPERATURE REQUIREMENTS

### MATERIAL AND FINISH

BODY : POLY CARBONATE / NYLON  
ELEMENT : ZINC MATERIAL, Sn PLATED  
COMPLIES WITH : SAE J1284, ISO 8820-3  
UL AND CSA CERTIFIED : FILE NO.E228912

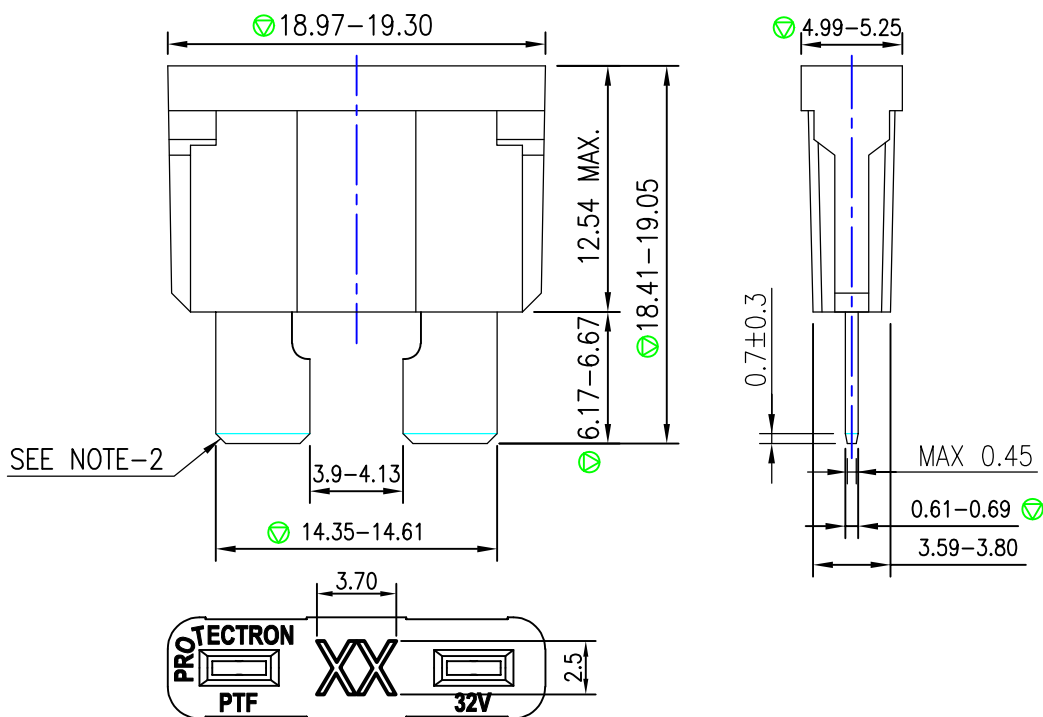
### PACKING DETAILS:

STANDARD : 500 No's BULK PACKING  
CUSTOMIZED PACKING IS AVAILABLE BASED ON REQUEST



DESCRIPTION : MIDI BLADE FUSE –STANDARD PLUG IN TYPE

PART NO: PTF 200 In  
(REFER TABLE)



XX—CURRENT RATING

**ORDERING INFORMATION**

**PTF 200 In**

In = NOMINAL CURRENT(2A TO 20A)

NOMINAL CURRENT RANGE (In)	BODY COLOUR	PART NUMBERS	TYPICAL VOLTAGE DROP (mV)	I <sup>2</sup> t VALUE(A <sup>2</sup> s) (TYP)
2A	GREY	PTF 200 2A	176	2.4
3A	VOILET	PTF 200 3A	141	12.0
4A	PINK	PTF 200 4A	137	17.0
5A	TAN	PTF 200 5A	136	33.0
7.5A	BROWN	PTF 200 7.5A	128	75.0
10A	RED	PTF 200 10A	116	113
15A	BLUE	PTF 200 15A	109	345
20A	YELLOW	PTF 200 20A	102	509

NOTE: THE ABOVE MENTIONED I<sup>2</sup>t VALUES ARE TYPICAL



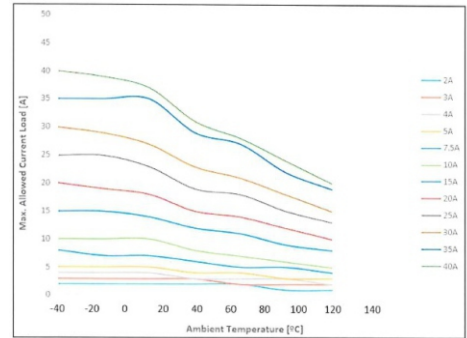
**DESCRIPTION :** MIDI BLADE FUSE –STANDARD PLUG IN TYPE

**PART NO:** PTF 200 In  
(REFER TABLE)

**ELECTRICAL CHARACTERISTICS:-**

% OF AMPERE RATING	AMPERE RATING	OPENING TIME
110%	2–40Amp	100 Hours Min.
135%	2–40Amp	750 msec., Min.; 600sec, Max.
160%	2–40Amp	250 msec., Min.; 50sec, Max.
200%	2–40Amp	150 msec., Min.; 5sec, Max.
350%	2–40Amp	80 msec., Min.; 500msec., Max.
600%	2–40Amp	30 msec., Min.; 100msec., Max.

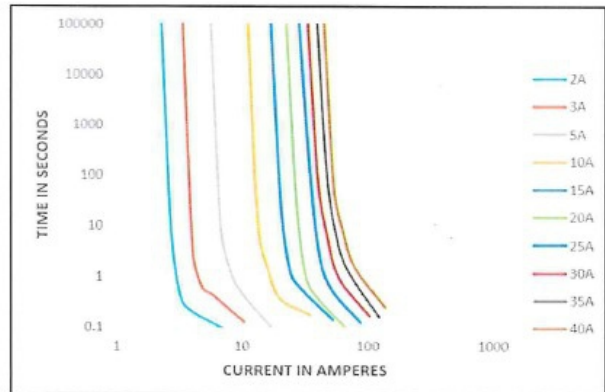
**TEMPERATURE RERATING CURVE**



**TEMPERATURE TABLE**

Max. allowed current (A) at ambient temperature (typical derating)									
	-40°c	-20°c	0°c	20°c	40°c	60°c	80°c	100°c	120°c
2A	2	2	2	2	2	2	2	2	2
3A	3	3	3	3	3	3	3	3	3
4A	4	4	4	4	3	2	1	1	1
5A	5	5	5	5	4	4	3	3	2
7.5A	7	7	7	7	6	5.5	5	5	5
10A	10	10	10	10	7.5	7	6.5	6	6
15A	15	15	14	13	12	12	11	11	10
20A	20	19.5	19	18	17	16	15	14	13
25A	25	24.5	23	20	19.5	19	17.5	15	14.5
30A	30	29.5	29	26	24	21	20	17	15
35A	35	35	35	34.5	29.5	29.0	25	21	19
40A	40	39.5	38	35	31	29	26	23	20

**TIME-CURRENT CHARACTERISTIC CURVES**



Projection:



Scale: NTS

Sht. Size: A4

Gen. Tol.: ±0.25mm  
±2°

ALL DIMENSIONS ARE IN MM.  
IF UNLESS OTHERWISE SPECIFIED.