

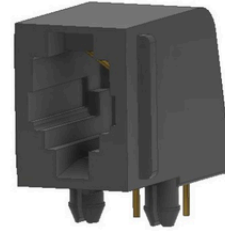


DESCRIPTION :MODULAR JACK, SIDE ENTRY, WITHOUT FLANGE

PART NO: PSY004A-XPXC-X



RoHS



PHYSICAL DATA

INSULATOR BODY : PBT , UL 94V-0
CONTACT, ROUND PIN : PHOSPHOR BRONZE

ELECTRICAL DATA

CURRENT RATING : 1.5A
VOLTAGE RATING : 150 VAC MAX
CONTACT RESISTNACE : 30m OHMS MAX
INSULATION RESISTANCE : 500M OHMS MIN
DIELECTRIC WITHSTAND : 1000V AC/MIN

MECHANICAL DATA

MECHANICAL LIFE : 500 CYCLES MIN
TOTAL MATING FORCE : 35 N MAX
PLUG RETENTION FORCE : 7 Kg

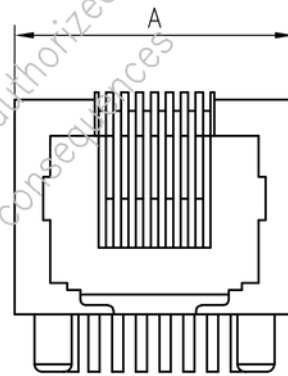
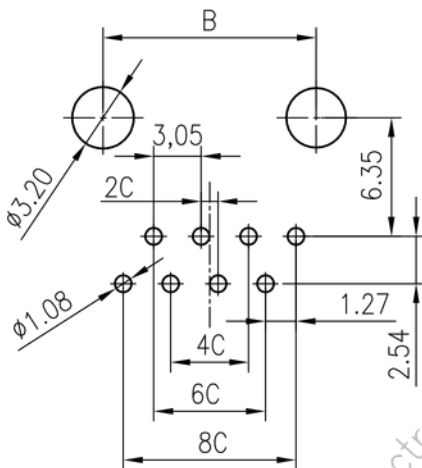
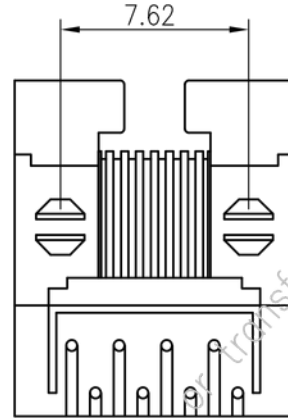
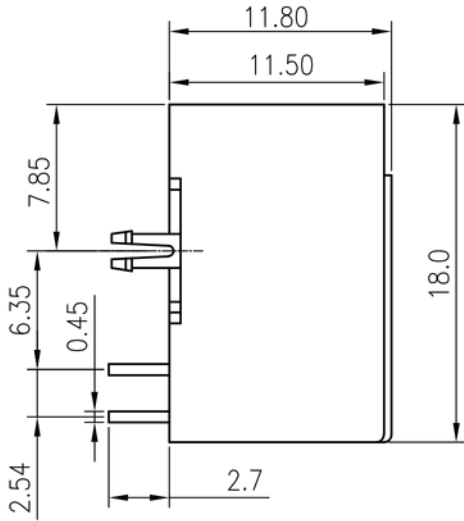
ENVIRONMENTAL DATA

TEMPERATURE RANGE : -40° TO +70° C



DESCRIPTION : MODULAR JACK, SIDE ENTRY, WITHOUT FLANGE

PART NO: PSY004A-XPXC-X



RECOMMENDED P.C.B LAYOUT

ORDERING INFORMATION

PSY004A-XPXC-X

X= NO. OF POSITIONS

X= NO.OF CONTACTS

POSITION	A	B
4P	11.20	7.62
6P	13.20	10.16
8P	15.20	11.43

X	PLATING
1	6μ" GOLD PLATED
2	0.75μ GOLD PLATED
4	TIN PLATED
5	1.27μ GOLD PLATED
6	GOLD ON CONTACT AREA TIN ON TAIL

Projection:



Scale: NTS

Sht. Size: A4

Gen. Tol.: ±0.35mm
±2'

ALL DIMENSIONS ARE IN MM.
IF UNLESS OTHERWISE SPECIFIED.