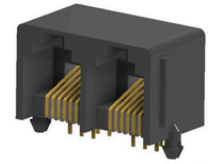




DESCRIPTION : MODULAR JACK, SIDE ENTRY, WITH FLANGE

PART NO: PSY003-XPXC-X

RoHS



PHYSICAL DATA

INSULATION

INSULATOR BODY	:	PBT UL 94V-0, BLACK COLOUR
CONTACT, ROUND PIN	:	PHOSPHOR BRONZE, GOLD PLATING
FLAT PIN	:	PHOSPHOR BRONZE, GOLD PLATINGBLACK

ELECTRICAL DATA

VOLTAGE RATING	:	500 VAC max.3A
CURRENT RATING	:	1.5A
CONTACT RESISTANCE	:	30m OHMS max.
INSULATION RESISTANCE	:	500M OHMS MIN.

MECHANICAL DATA

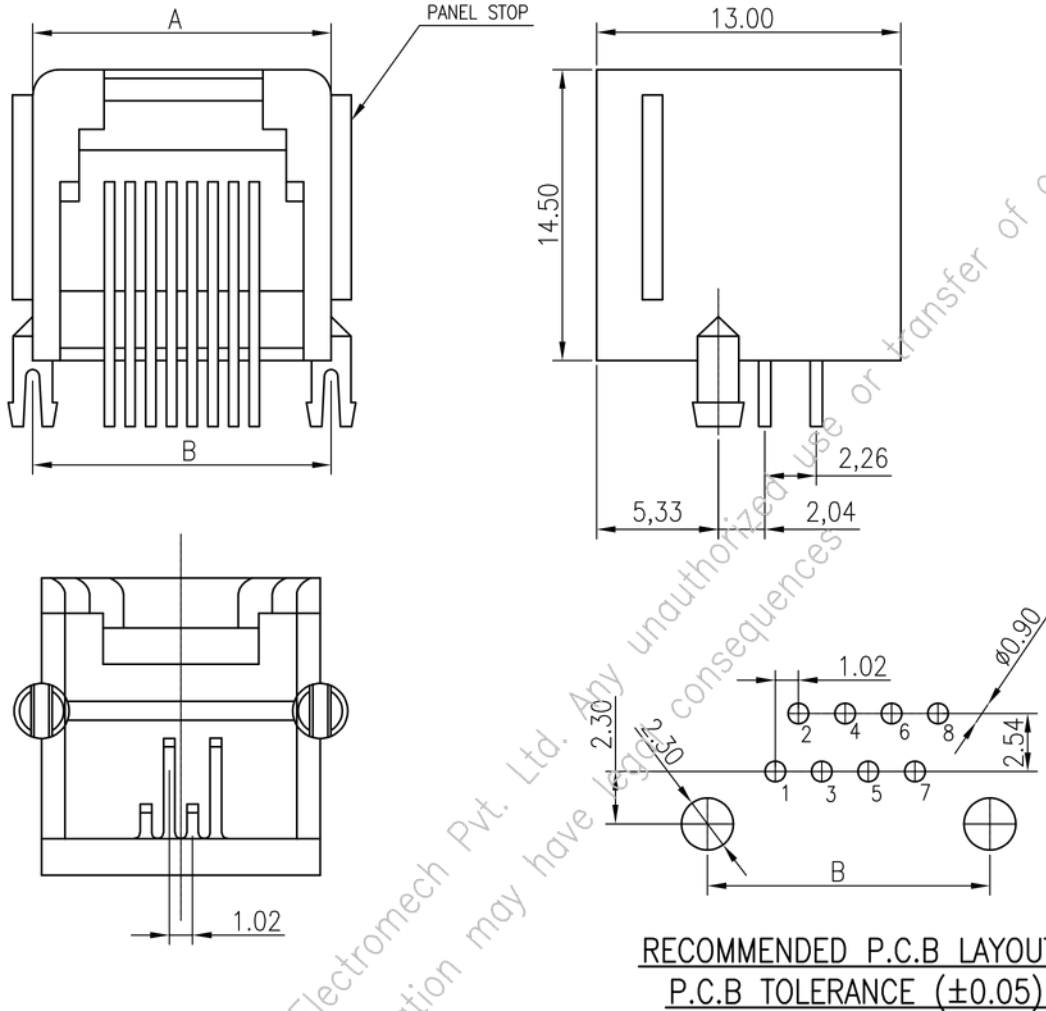
MECHANICAL LIFE	:	50 CYCLES Min.
-----------------	---	----------------

ENVIRONMENTAL DATA

TEMPERATURE RANGE	:	-40°C TO +70°C
-------------------	---	----------------

DESCRIPTION : MODULAR JACK, SIDE ENTRY, WITH FLANGE

PART NO: PSY003-XPXC-X



ORDERING INFORMATION

PSY003-XPXC-X

NO.OF POSITIONS NO.OF CONTACTS

X	PLATING
1	GOLD PLATED
2	30μ" GOLD PLATED
3	3μ" GOLD PLATED
6	SELECTIVE GOLD PLATED

POSITION	A	B
4P	10.00	10.00
6P	12.00	12.00
8P	15.00	15.00

Projection:

Scale: NTS

Sht. Size: A4

Gen. Tol.: ±0.35mm

ALL DIMENSIONS ARE IN MM.
IF UNLESS OTHERWISE SPECIFIED.