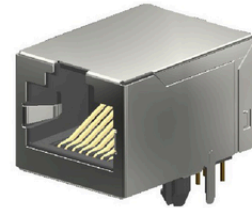




DESCRIPTION : MODULAR JACK, SHIELDED, SIDE ENTRY,
LONG BODY

PART NO: PSY001SL-10P8CX

RoHS



PHYSICAL DATA

MATERIAL

INSULATOR	:	PBT
FLAMABILITY	:	UL 94V-0
COLOR	:	BLACK COLOR
CONTACT	:	PHOSPHOR-BRONZE
PLATING	:	SEE TABLE
PACKAGING TYPE	:	BULK PACKING

ELECTRICAL DATA

CONTACT RESISTANCE	:	30m OHMS MAX
INSULATION RESISTANCE	:	500M OHMS MIN
VOLTAGE RATING	:	150V AC MAX
CURRENT RATING	:	1.5A
DIELECTRIC WITHSATNDING	:	500V AC/MIN

MECHANICAL DATA

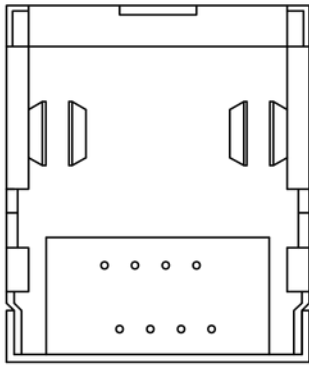
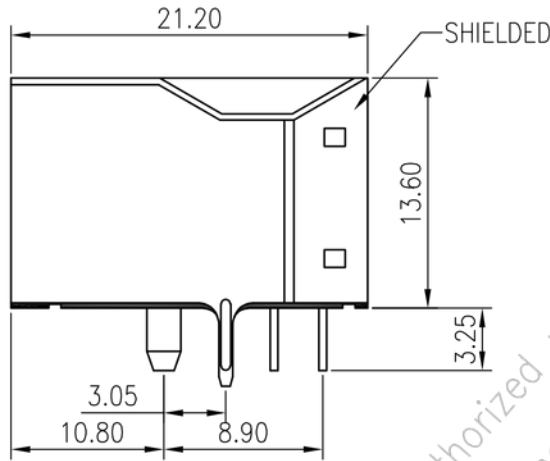
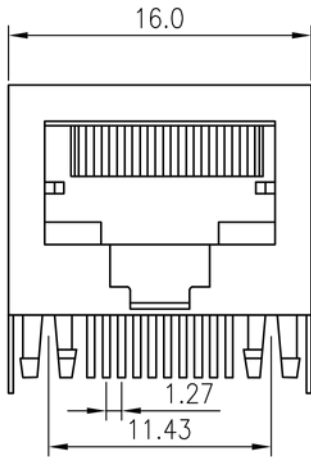
MECHANICAL LIFE	:	50 CYCLES MIN
-----------------	---	---------------

ENVIRONMENTAL DATA

TEMPERATURE RANGE	:	-40° TO +70° C
-------------------	---	----------------

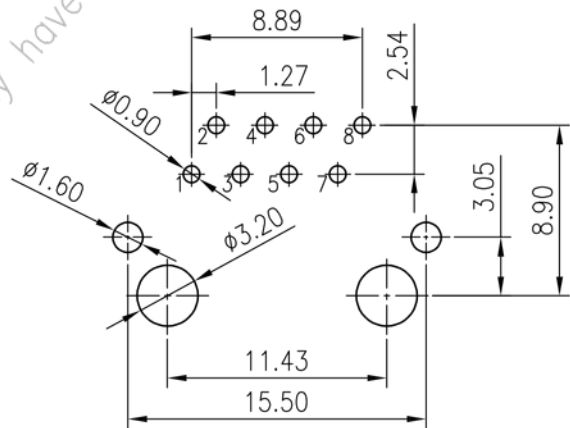
DESCRIPTION : MODULAR JACK, SHIELDED, SIDE ENTRY,
LONG BODY

PART NO: PSY001SL-10P8CX



PSY001SL-10P8CX

X	PLATING
1	6 μ " GOLD PLATED
2	0.75 μ GOLD PLATED
4	TIN PLATED
6	GOLD ON CONTACT AREA TIN ON TAIL



P.C.B LAYOUT

Projection:


Scale: NTS

Sht. Size: A4

Gen. Tol.: ± 0.35 mm

ALL DIMENSIONS ARE IN MM.
IF UNLESS OTHERWISE SPECIFIED.