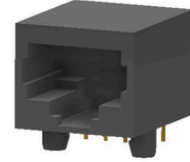




DESCRIPTION : RJ45 MODULAR JACK SIDE ENTRY, LONG BODY UNSHIELDED.

PART NO: PSY001C10P10C-1-K



PHYSICAL DATA

INSULATION

MATERIAL : PBT
FLAMMABILITY : UL94V-0

CONTACT

MATERIAL : COPPER ALLOY
FINISH : GOLD PLATED
PACKAGING TYPE : STANDARD

ELECTRICAL DATA

CURRENT RATING : 1.5A
VOLTAGE RATING : 125 VAC RMS
INSULATION RESISTANCE : 500M OHMS MIN
DIELECTRIC WITHSTAND : 1000V AC/MIN
CONTACT RESISTANCE : 30m OHMS MAX

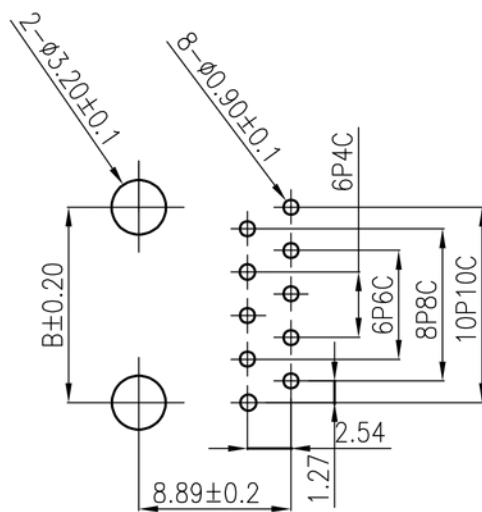
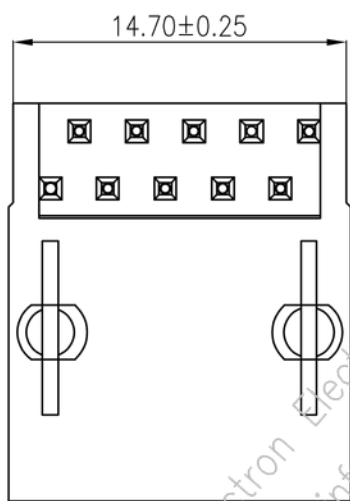
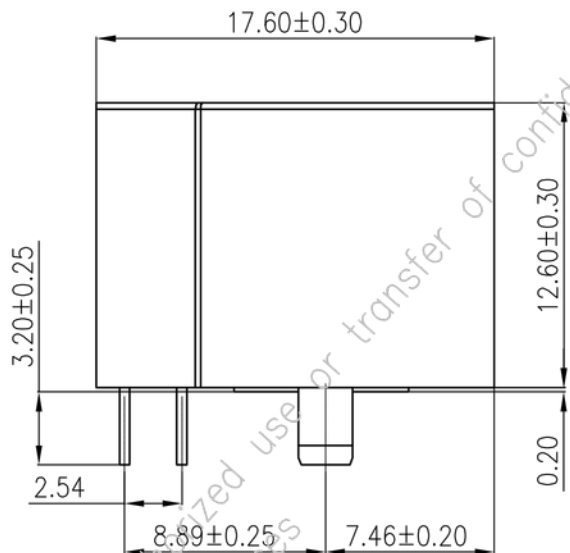
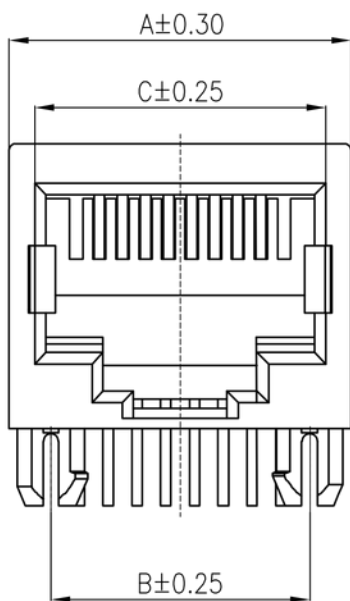
ENVIRONMENTAL DATA

TEMPERATURE RANGE : -40° TO +85° C



DESCRIPTION : RJ45 MODULAR JACK SIDE ENTRY, LONG BODY UNSHIELDED.

PART NO: PSY001C10P10C-1-K



PC Board Layout

POSITION	CONTACTS	A	B	C
4P	4C	15.10	11.43	7.80
6P	2C/4C/6C	15.10	11.43	9.90
8P	8C	15.10	11.43	11.90
10P	10C	15.10	11.43	11.90

Projection:

Scale: NTS

Sht. Size: A4

Gen. Tol.: $\pm 0.3\text{mm}$
 $\pm 2^\circ$

ALL DIMENSIONS ARE IN MM.
IF UNLESS OTHERWISE SPECIFIED.