



PROTECTRON ELECTROMECH (P) LTD

DESCRIPTION : 5 x 20mm, CERAMIC CARTRIDGE TIME DELAY FUSE

PART NO: PSTC In

APPROVALS:



- SPECIFICATIONS** : IEC 60127-2, SHEET-V
- RATED VOLTAGE** : 250 V, AC
- BREAKING CAPACITY** : 1500AMPS, WHEN TESTED WITH AC CURRENT
- CAP** : BRASS, NICKEL PLATED
- BODY** : CERAMIC BODY

MARKINGS ON THE FUSE CAP SHOULD BE AS FOLLOWS:-

TYPE OF FUSE (T), FUSE RATING, RATED VOLTAGE (250V),
BREAKING CAPACITY (H) & COMPANY'S IDENTIFICATION

CERTIFICATIONS:

UL APPROVAL-100mA TO 6.3A, 8A AND 10A

UL CERTIFICATE NUMBER : 20150106-E228912

ADDITIONAL TEST(FOR<10A) AT 1.5In SHALL NOT FUSE WITHIN 1HOUR

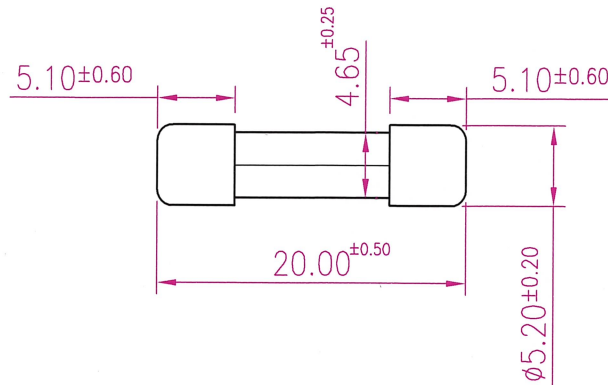
NOMINAL CURRENT (In)	2.1 In MAX.	2.75 In		4 In		10 In	
		MIN.	MAX.	MIN.	MAX.	MIN.	MAX.
0.1A TO 0.8A	30 MINUTES	250 mSec	80 Sec	50 mSec	5 Sec	5 mSec	150 mSec
>0.8A TO 3.15A	30 MINUTES	750 mSec	80 Sec	95 mSec	5 Sec	10 mSec	150 mSec
>3.15A	30 MINUTES	750 mSec	80 Sec	150 mSec	5 Sec	10 mSec	150 mSec
8 & 10A	30 MINUTES	750 mSec	80 Sec	150 mSec	5 Sec	10 mSec	150 mSec
>10A	30 MINUTES	1 Sec	80 Sec	150 mSec	5 Sec	20 mSec	100 mSec



PROTECTRON ELECTROMECH (P) LTD

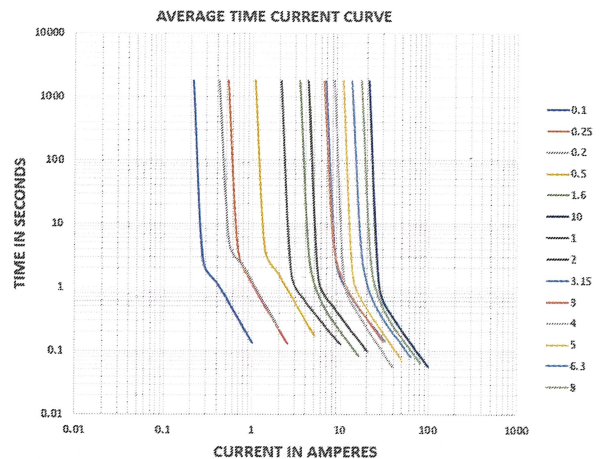
DESCRIPTION : 5 x 20, CERAMIC CARTRIDGE TIME DELAY FUSE

PART NO: PSTC In



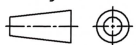
SL.NO	PEPL PART NUMBER	NOMINAL CURRENT RANGE (In)	VOLTAGE DROP DC (mV Max.)
1	PSTC 0.1A	100 mA	2500
2	PSTC 0.125A	125 mA	2000
3	PSTC 0.16A	160 mA	1900
4	PSTC 0.2A	200 mA	1500
5	PSTC 0.25A	250 mA	1300
6	PSTC 0.315A	315 mA	1100
7	PSTC 0.4A	400 mA	1000
8	PSTC 0.5A	500 mA	900
9	PSTC 0.63A	630 mA	300
10	PSTC 0.8A	800 mA	250
11	PSTC 1A	1 A	250
12	PSTC 1.25A	1.25 A	250
13	PST 1.4A	1.4 A	200
14	PST 1.5A	1.5 A	200
15	PST 1.6A	1.6 A	200
16	PSTC 2A	2 A	190
17	PSTC 2.5A	2.5 A	180
18	PSTC 3A	3 A	140
19	PSTC 3.15A	3.15 A	140
20	PSTC 4A	4 A	100
21	PSTC 5A	5 A	100
22	PSTC 6.3A	6.3 A	100
23	PSTC 7A	7 A	100
24	PSTC 8A	8 A	100
25	PSTC 10A	≥10 A	100

TIME-CURRENT CHARACTERISTIC CURVES



A7	TIME-CURRENT CHARACTERISTIC CURVE ADDED	SWATHI H	19.04.2021	20/4/21	Swathy
A6	TYPE OF FUSE (F) CHANGED TO (T)	THANUJA	24.09.2020		
A5	UL FILE NO INCLUDED	RAMYA	06.06.2019		
A4	BLOWING CHARACTERISTICS REVISED AS PER IEC	VENILA	27.04.2015		
A3	RATING OTHER THAN 1A-7A ADDED	SAVITHA	26.07.2005		
A2	MARKING INFIRMATION IS ADDED AND DRAWING IS REDRAWN	SANDHYA	03.03.2001		
A1	7A FUSE SPEC INCLUDED	SANDHYA	19.09.1999		
A	ORIGINAL	SANDHYA	17.07.1999		
REV.	DESCRIPTION	DRN. BY	DATE	CK'ED BY	APP'D BY

Projection:



Scale: NTS

Sht. Size: A4

Gen. Tol.: ±0.1mm
±0.2°

ALL DIMENSIONS ARE IN MM.
IF UNLESS OTHERWISE SPECIFIED.

<http://www.protectron.in>

protectron@protectron.in