



DESCRIPTION : RF SHIELD FENCE-3

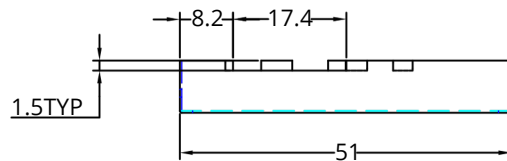
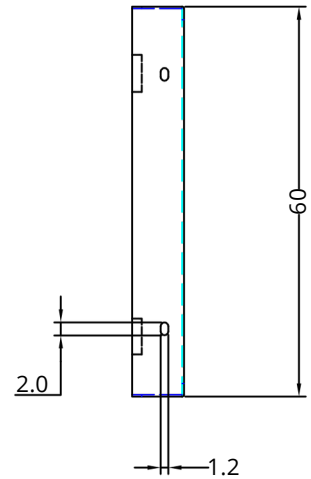
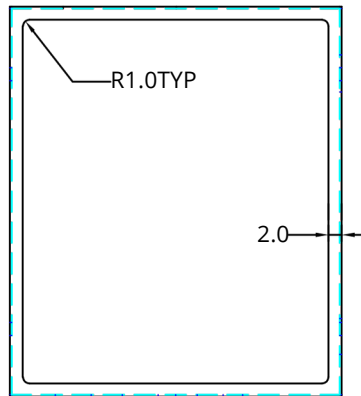
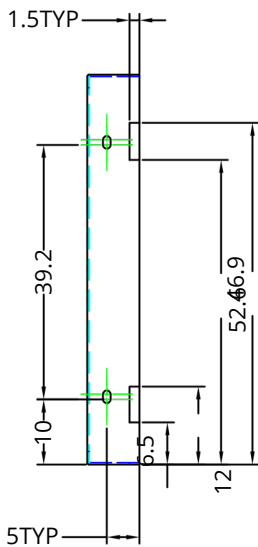
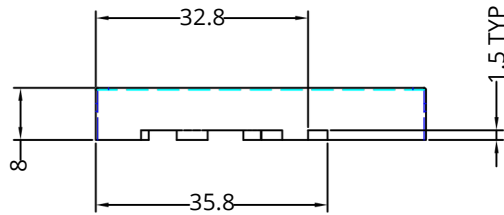
PART NO: PSHEMF00-1U

RoHS



PHYSICAL DATA

MATERIAL : PHOSPHOR BRONZE, ELECTROLESS NICKEL PLATING



Projection:



Scale: NTS

Sht. Size: A4

Gen. Tol.: ±0.35mm
±2°

ALL DIMENSIONS ARE IN MM.
IF UNLESS OTHERWISE SPECIFIED.