



DESCRIPTION : 5.2 x 20, CERAMIC BODY FAST ACTING FUSE

PART NO: PSFC In-R

APPROVALS:



- SPECIFICATIONS** : IEC 60127-2, SHEET-I
- RATED VOLTAGE** : 250 V, AC
- BREAKING CAPACITY** : 35 A OR 10 In WHICHEVER IS GREATER WHEN TESTED WITH AC CURRENT
- CAP** : BRASS, NICKEL PLATED
- BODY** : CERAMIC BODY

MARKINGS ON THE FUSE CAP SHOULD BE AS FOLLOWS:-

TYPE OF FUSE (F), FUSE RATING, RATED VOLTAGE (250V),
BREAKING CAPACITY (H), RoHS(R) & COMPANY'S IDENTIFICATION

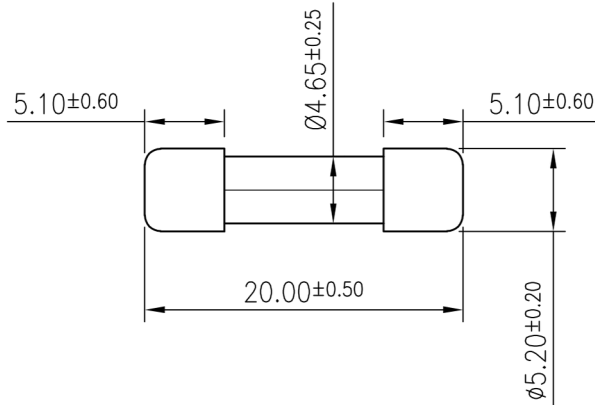
ELECTRICAL CHARACTERISTICS:

NOMINAL CURRENT (In)	2.1 In MAX.	2.75 In		4 In		10 In MAX.
		MIN.	MAX.	MIN.	MAX.	
100mA TO 4A	30 MINUTES	10 mSec	2 Sec	3 mSec	300 mSec	20 mSec
>4A TO 6.3A	30 MINUTES	10 mSec	3 Sec	3 mSec	300 mSec	20 mSec
6.3A TO 8.0A	30 MINUTES	40 mSec	20 Sec	10 mSec	1 Sec	30 mSec
8 & 10A	30 MINUTES	40 mSec	20 Sec	10 mSec	1 Sec	40 mSec
10A TO 20A	30 MINUTES	40 mSec	20 Sec	10 mSec	1 Sec	30 mSec



DESCRIPTION : 5.2 x 20, CERAMIC BODY FAST ACTING FUSE

PART NO: PSFC In-R



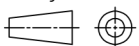
SL.NO	PEPL PART NUMBER	NOMINAL CURRENT RANGE (In)	VOLTAGE DROP DC (mV Max.)
1	PSFC 0.1A-R	100 mA	7000
2	PSFC 0.125A-R	125 mA	5000
3	PSFC 0.15A-R	150 mA	4300
4	PSFC 0.16A-R	160 mA	4300
5	PSFC 0.2A-R	200 mA	3500
6	PSFC 0.25A-R	250 mA	2800
7	PSFC 0.3A-R	300 mA	2500
8	PSFC 0.4A-R	400 mA	2000
9	PSFC 0.5A-R	500 mA	1800
10	PSFC 0.63A-R	630 mA	1500
11	PSFC 0.75A-R	750 mA	1500
12	PSFC 0.8A-R	800 mA	1200
13	PSFC 1A-R	1 A	1000
14	PSFC 1.25A-R	1.25 A	800
15	PSFC 1.4A-R	1.4 A	600
16	PSFC 1.5A-R	1.5 A	600
17	PSFC 1.6A-R	1.6 A	600

SL.NO	PEPL PART NUMBER	NOMINAL CURRENT RANGE (In)	VOLTAGE DROP DC (mV Max.)
18	PSFC 2A-R	2 A	500
19	PSFC 2.5A-R	2.5 A	400
20	PSFC 3A-R	3 A	350
21	PSFC 3.15A-R	3.15 A	350
22	PSFC 4A-R	4 A	300
23	PSFC 5A-R	5 A	250
24	PSFC 6A-R	6 A	200
25	PSFC 6.3A-R	6.3 A	200
26	PSFC 7A-R	7 A	200
27	PSFC 7.5A-R	7.5 A	200
28	PSFC 8A-R	8 A	200
29	PSFC 10A-R	10 A	200
30	PSFC 12A-R	12 A	200
31	PSFC 15A-R	15 A	200
32	PSFC 16A-R	16 A	200
33	PSFC 20A-R	20 A	200

ORDERING INFORMATION

PAFC... mA(In ≤ 800mA)-R OR
PAFC... A(In ≥ 1A)-R

Projection:



Scale: NTS

Sht. Size: A4

Gen. Tol.: ±0.1mm
±0.2°

ALL DIMENSIONS ARE IN MM.
IF UNLESS OTHERWISE SPECIFIED.