

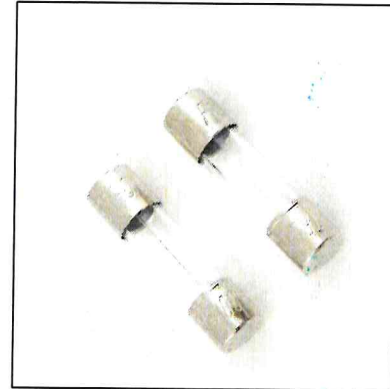


PROTECTRON ELECTROMECH (P) LTD

DESCRIPTION : 5.2x20, GLASS CARTRIDGE FAST ACTING FUSE,
RoHS

PART NO: PSF In-R

RoHS



RATED VOLTAGE : 250 V, AC

BREAKING CAPACITY : 35 A OR 10 In WHICHEVER IS GREATER
WHEN TESTED WITH AC CURRENT

MARKINGS ON THE FUSE CAP SHOULD BE AS FOLLOWS:-

TYPE OF FUSE (F), FUSE RATING, RATED VOLTAGE (250V),
RoHS(R), BREAKING CAPACITY (L) & COMPANY'S IDENTIFICATION

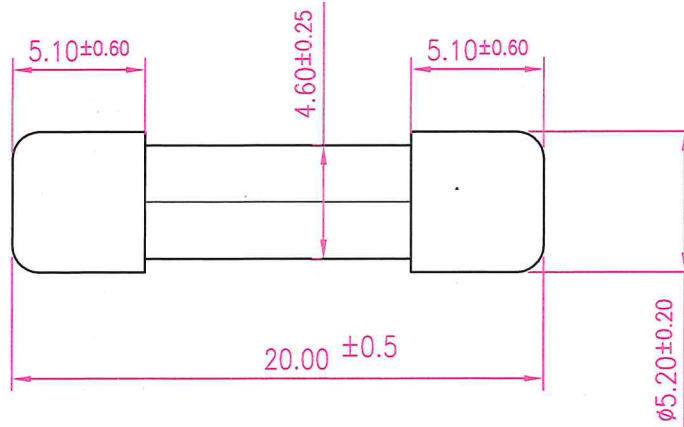
NOMINAL CURRENT (In)	2.1 In MAX.	2.75 In		4 In		10 In MAX.
		MIN.	MAX.	MIN.	MAX.	
100mA	30 MINUTES	10 mSec	500 mSec	3 mSec	100 mSec	20 mSec
>100mA TO 6.3A	30 MINUTES	50 mSec	2 Sec	10 mSec	300 mSec	20 mSec
6.3A TO 8A	30 MINUTES	50 mSec	2 Sec	10 mSec	300 mSec	20 mSec
8 & 10A	30 MINUTES	50 mSec	2 Sec	10 mSec	400 mSec	60 mSec
10A TO 30A	30 MINUTES	50 mSec	2 Sec	10 mSec	400 mSec	40 mSec



PROTECTRON ELECTROMECH (P) LTD

DESCRIPTION : 5.2x20, GLASS CARTRIDGE FAST ACTING FUSE,
RoHS

PART NO: PSF In-R



SL.NO	PEPL PART NUMBER	NOMINAL CURRENT RANGE (In)	VOLTAGE DROP DC (mV Max.)	COLD RESISTANCE (mΩ)	OPERATING It A ² Sec
1	PSF 0.1A-R	100 mA	4000	6.0	0.0023
2	PSF 0.125A-R	125 mA	3500	-	0.0067
3	PSF 0.15A-R	150 mA	2000	-	0.018
4	PSF 0.16A-R	160 mA	2000	-	0.018
5	PSF 0.2A-R	200 mA	1700	-	0.030
6	PSF 0.25A-R	250 mA	1400	-	0.021
7	PSF 0.3A-R	300 mA	1300	-	0.044
8	PSF 0.315A-R	315 mA	1300	-	0.044
9	PSF 0.4A-R	400 mA	1200	-	0.088
10	PSF 0.5A-R	500 mA	1000	274.26	0.15
11	PSF 0.6A-R	600 mA	650	-	-
12	PSF 0.63A-R	630 mA	650	-	0.37
13	PSF 0.7A-R	700 mA	650	-	-
14	PSF 0.75A-R	750 mA	240	-	-
15	PSF 0.8A-R	800 mA	240	-	5.3
16	PSF 1A-R	1 A	200	81.26	5.1
17	PSF 1.25A-R	1.25 A	200	-	5.6
18	PSF 1.5A-R	1.5 A	190	-	6.5
19	PSF 1.6A-R	1.6 A	190	-	6.5
20	PSF 2A-R	2 A	170	39.35	7.6
21	PSF 2.5A-R	2.5 A	170	-	9.8

SL.NO	PEPL PART NUMBER	NOMINAL CURRENT RANGE (In)	VOLTAGE DROP DC (mV Max.)	COLD RESISTANCE (mΩ)	OPERATING It A ² Sec
22	PSF 3A-R	3 A	150	264.30	20
23	PSF 3.15A-R	3.15 A	150	-	20
24	PSF 3.5A-R	3.5 A	150	-	-
25	PSF 4A-R	4 A	130	-	29
26	PSF 4.5A-R	4.5 A	130	-	-
27	PSF 5A-R	5 A	130	15.32	38
28	PSF 6A-R	6 A	130	-	62
29	PSF 6.3A-R	6.3 A	130	-	62
30	PSF 7A-R	7 A	130	-	-
31	PSF 7.5A-R	7.5 A	130	-	-
32	PSF 8A-R	8 A	130	-	103
33	PSF 9A-R	9 A	130	-	-
34	PSF 10A-R	10 A	130	-	184
35	PSF 12A-R	12 A	130	-	-
36	PSF 15A-R	15 A	130	-	-
37	PSF 16A-R	16 A	130	-	-
38	PSF 18A-R	18 A	130	-	-
39	PSF 20A-R	20 A	130	-	-
40	PSF 25A-R	25 A	130	-	-
41	PSF 30A-R	30 A	130	-	-

ORDERING INFORMATION

PSF... mA(In ≤ 800mA)-R OR
PSF... A(In ≥ 1A)-R



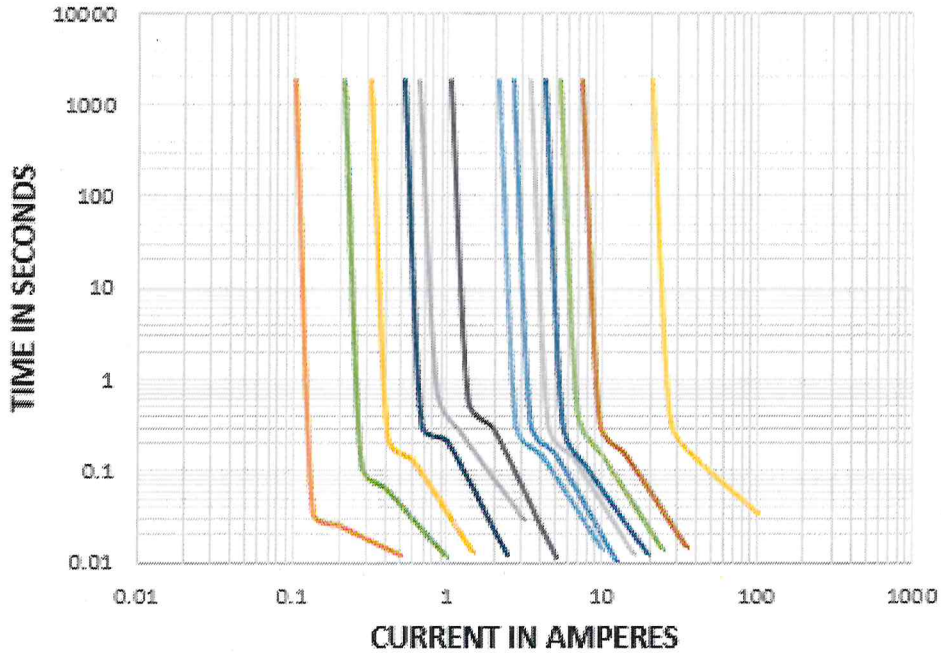
PROTECTRON ELECTROMECH (P) LTD

DESCRIPTION : 5.2x20, GLASS CARTRIDGE FAST ACTING FUSE,
RoHS

PART NO: PSF In-R

TIME-CURRENT CHARACTERISTIC CURVES

AVERAGE TIME CURRENT CURVE



A3	TIME-CURRENT CHARACTERISTICS CURVE ADDED	SOUMYA	09.02.2023	<i>[Signature]</i>
A2	DATASHEET UPDATED UPTO 30A NOMINAL CURRENT RANGE	RAMYA	09.02.2019	
A1	VOLATAGE DROP UPDATED FOR ABOVE 10A	MADHU	21.08.2017	
A	ORIGINAL	ANIL	31.03.2009	

REV.	DESCRIPTION	DRN. BY	DATE	CK'ED BY	APP'D BY
------	-------------	---------	------	----------	----------

Projection: 	Scale: NTS	Sht. Size: A4	Gen. Tol.: ±0.35mm ±2°	ALL DIMENSIONS ARE IN MM. IF UNLESS OTHERWISE SPECIFIED.
-----------------	------------	---------------	---------------------------	---

<http://www.protectron.in>
protectron@protectron.in