



PROTECTRON ELECTROMECH (P) LTD

DESCRIPTION : 2 POLE POWER CONNECTOR HOUSING, RoHS

PART NO: PPSAXXXHXX-00-2

RoHS



PHYSICAL

INSULATION

MATERIAL : PC (UL94 V-0)
CONTACT MATERIAL : COPPER, PLATED

ELECTRICAL

INSULATION RESISTANCE : 5,000 M OHMS MIN
DIELECTRIC WITHSTANDING : 2200V AC FOR 1 MINUTE

MECHANICAL DATA

MECHANICAL LIFE

WITHOUT LOAD : 10000 CYCLES
WITH LOAD : 250 CYCLES

ENVIRONMENTAL DATA

TEMPERATURE RANGE : -20°C TO +105°C

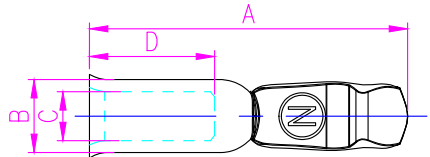
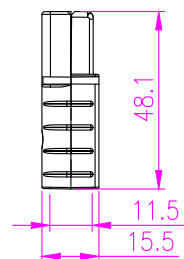
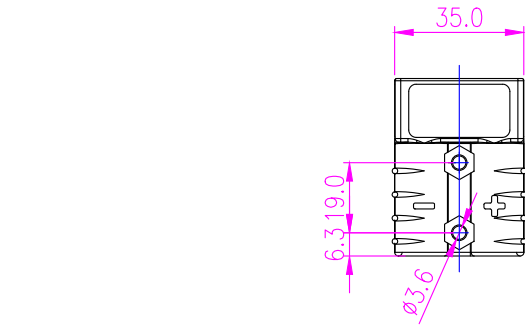


PROTECTRON ELECTROMECH (P) LTD

DESCRIPTION : 2 POLE POWER CONNECTOR HOUSING, RoHS

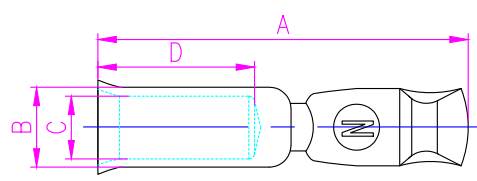
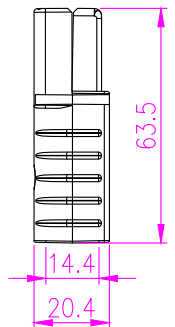
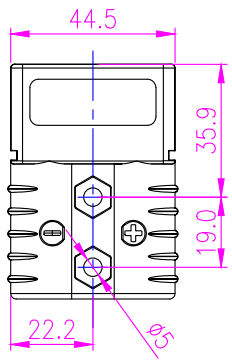
PART NO: PPSAXXXHXX-00-2

FIG 1:



PART NUMBER	A(MM)	B(MM)	C(MM)	D(MM)	AWG
PPSA050T-15	30.5	7.0	5.6	12.0	6 TO 12
	30.5	7.0	4.7	12.0	
	30.5	7.0	3.5	12.0	

FIG 2:



PART NUMBER	A(MM)	B(MM)	C(MM)	D(MM)	AWG
PPSA120T-15	52.0	11.2	8.7	22.0	2 TO 6
	52.0	11.2	7.5	22.0	
	52.0	11.2	5.6	22.0	

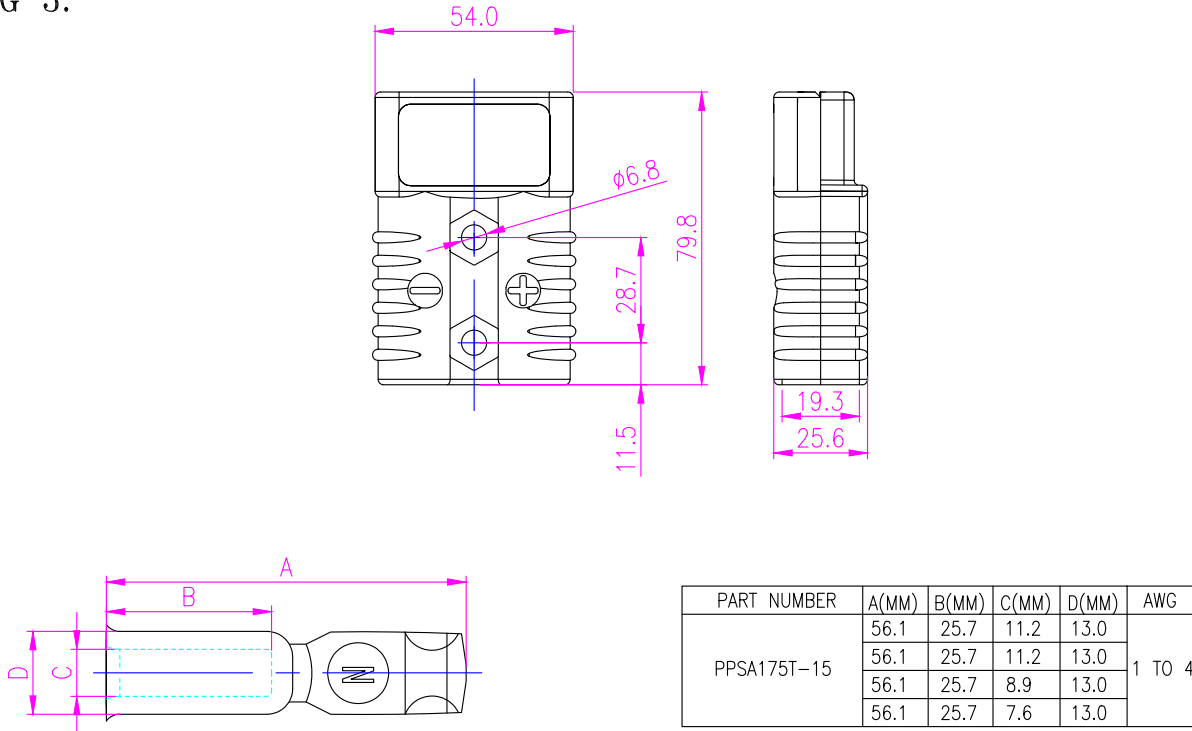


PROTECTRON ELECTROMECH (P) LTD

DESCRIPTION : 2 POLE POWER CONNECTOR HOUSING, RoHS

PART NO: PPSAXXXHXX-00-2

FIG 3:



ORDERING INFORMATION

CURRENT RATING	AVERAGE CONNECTION/DISCONNECTION	P/N		REFERENCE
		RED	BLACK	
50A	55 N	PPSA050H22-00-2	PPSA050H20-00-2	FIG 1
120A	85 N	PPSA120H22-00-2	PPSA120H20-00-2	FIG 2
175A	150 N	PPSA175H22-00-2	PPSA175H20-00-2	FIG 3

A	ORIGINAL	TUFAL	27.06.2022			
REV.	DESCRIPTION		DRN. BY	DATE	CK'ED BY	APP'D BY
Projection: 		Scale: NTS	Sht. Size: A4	Gen. Tol.: ±0.50mm ±2'	ALL DIMENSIONS ARE IN MM. IF UNLESS OTHERWISE SPECIFIED.	
http://www.protectron.in protectron@protectron.in						