

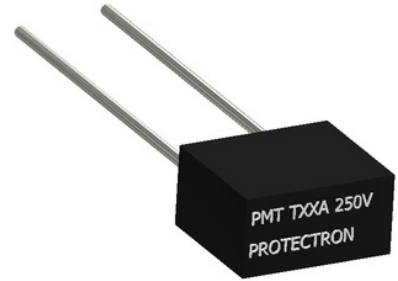


DESCRIPTION : RADIAL LEAD MICRO FUSES TIME LAG

PART NO: PMT 0.06A-T1



RoHS



PHYSICAL DATA

MATERIAL

BASE AND CAP : PA66, UL 94-V0, BLACK COLOR

ROUND PINS : COPPER, TIN PLATED

PACKAGING TYPE

IN BULK : 1000 pcs per box

ON TAPE : Ammo Pack, 1000pcs box

ELECTRICAL DATA

INTERUPT RATING : 35A or 10 times the rated current whichever is greater AT 300V AC

MECHANICAL DATA

RETENTION FORCE : 1.5Kg MIN

ELECTRICAL CHARACTERISTICS

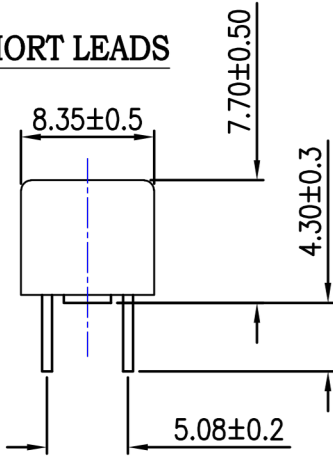
RATED CURRENT	1.5 In		2.1 In		2.75 In		4 In		10 In	
	MIN	MAX	MIN	MAX	MIN	MAX	MIN	MAX	MIN	MAX
60mA	60 min	2 min	400 ms	10 sec	150 ms	3 sec	15 ms	150 ms		



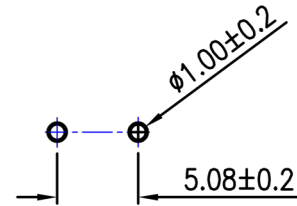
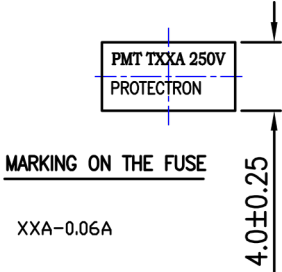
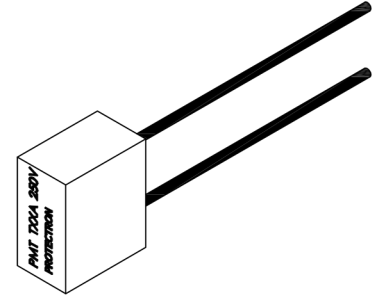
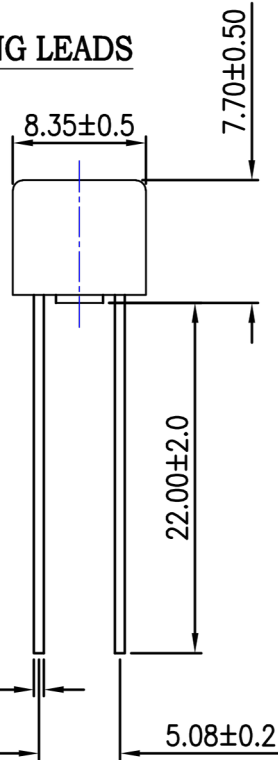
DESCRIPTION : RADIAL LEAD MICRO FUSES TIME LAG

PART NO: PMT 0.06A-T1

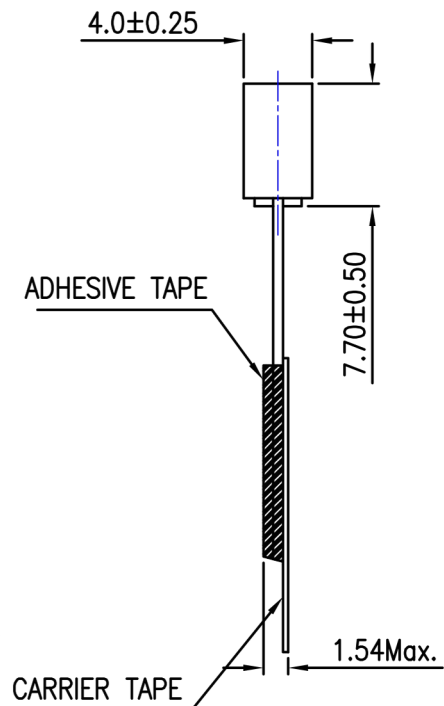
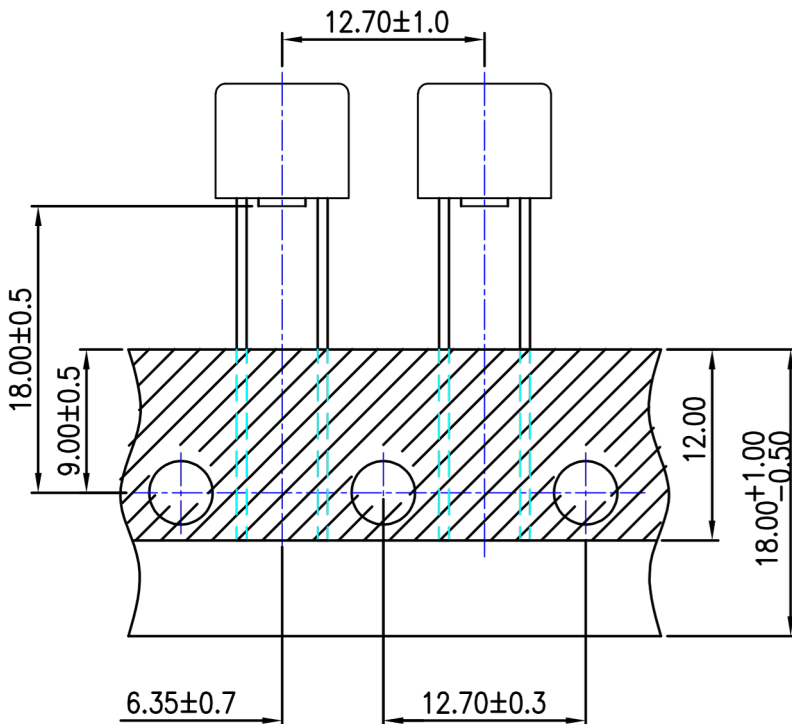
SHORT LEADS



LONG LEADS



MOUNTING HOLES



Projection:



Scale: NTS

Sht. Size: A4

Gen. Tol.: ±0.25mm
±2°

ALL DIMENSIONS ARE IN MM.
IF UNLESS OTHERWISE SPECIFIED.



DESCRIPTION : RADIAL LEAD MICRO FUSES TIME LAG

PART NO: PMT 0.06A-T1

TIME LAG FUSES TYPE PMT

PROTECTRON PART NUMBERS	Ampere Rating (In)	Voltage Rating (V)	Nominal Resistance Cold Ohms	Voltage Drop (mv) max
PMT 0.06A-T1	0.06A	250V	5.8-7	750

Projection:



Scale: NTS

Sht. Size: A4

Gen. Tol.: ±0.25mm
±2'

ALL DIMENSIONS ARE IN MM.
IF UNLESS OTHERWISE SPECIFIED.