

**DESCRIPTION : 2K METAL CIRCULAR CONNECTOR, FIXED SOCKET, 5 PIN, RoHS**

**PART NO: PMCS001-PM-5S-12**

RoHS



**PHYSICAL DATA**

**INSULATION**

MATERIAL : THERMOPLASTIC  
FLAMMABILITY : UL94V-0

**CONTACT**

SHELL ASSEMBLY  
OUTER SHELL : ALUMINIUM ALLOY, Cr PLATING  
OTHER METALLIC COMPONENTS : COPPER ALLOY, Ni PLATING  
NUT : COPPER ALLOY, Ni PLATING  
CENTER CONTACT : COPPER ALLOY, GOLD PLATING  
O-RING : ELASTOMER  
NUMBER OF CONTACTS : 5 POSITION

**ELECTRICAL DATA**

RATED CURRENT FOR POWER CONTACT : 15A  
RATED CURRENT FOR SIGNAL CONTACT : 2A  
INSULATION RESISTANCE : 2000MΩ MIN  
DIELECTRIC STRENGTH : 3.2~3.5(AT10<sup>6</sup> Hz)

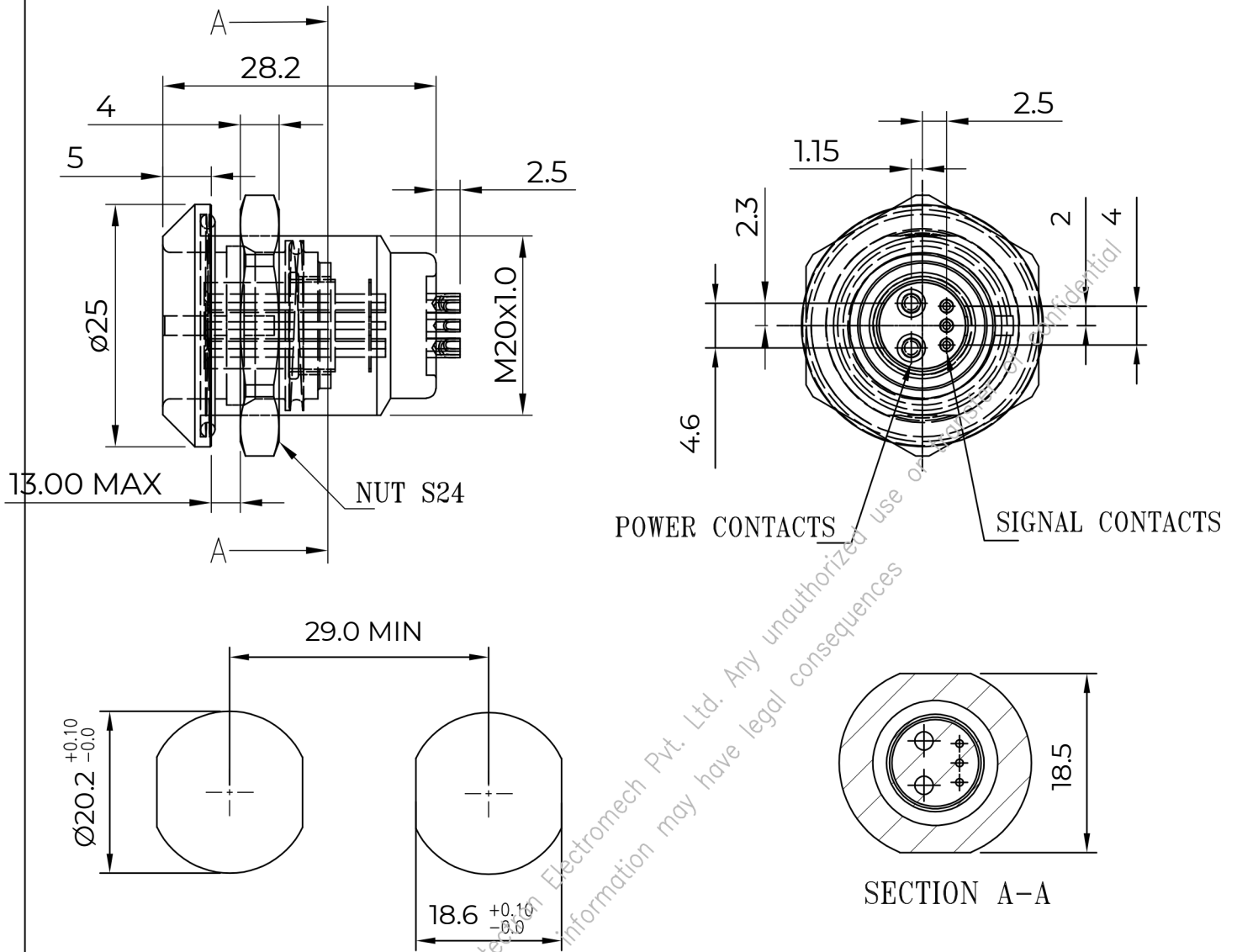
**ENVIRONMENTAL DATA**

TEMPERATURE RANGE : -55°C TO +125°C  
PROTECTION CLASS : IP68 (FOR BOTH MATING & UN-MATING CONDITIONS)



**DESCRIPTION :** 2K METAL CIRCULAR CONNECTOR, FIXED SOCKET, 5 PIN, RoHS

**PART NO:** PMCS001-PM-5S-12

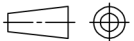


**PANEL CUT-OUT**  
(SEE NOTE)

**NOTE :-**

- 1) IF MULTIPLE CONNECTORS ARE PLACED IN SAME LINE THEN MINIMUM 29MM PITCH SHALL BE MAINTAINED.

Projection:



Scale: NTS

Sht. Size: A4

Gen. Tol.:  $\pm 0.25 \text{ mm}$   
 $\pm 2^\circ$

ALL DIMENSIONS ARE IN MM.  
IF UNLESS OTHERWISE SPECIFIED.