



DESCRIPTION : 2K METAL CIRCULAR CONNECTOR, STRAIGHT
PLUGS, 5 PIN, RoHS

PART NO: PMCP001-CM-5P-12

RoHS



PHYSICAL DATA

INSULATION

MATERIAL : THERMOPLASTIC
FLAMMABILITY : UL94V-0

CONTACT

SHELL ASSEMBLY
OUTER SHELL : ALUMINIUM ALLOY, Cr PLATING
OTHER METALLIC COMPONENTS : COPPER ALLOY, Ni PLATING
NUT : COPPER ALLOY, Ni PLATING
CENTER CONTACT : COPPER ALLOY, GOLD PLATING
O-RING : ELASTOMER
PIN ENGAGEMENT LENGTH : 3.9mm
NUMBER OF CONTACTS : 5 POSITION

ELECTRICAL DATA

RATED CURRENT FOR POWER CONTACT : 15A
RATED CURRENT FOR SIGNAL CONTACT : 2A
INSULATION RESISTANCE : 2000MΩ MIN
DIELECTRIC STRENGTH : 3.2~3.5(AT10⁶Hz)

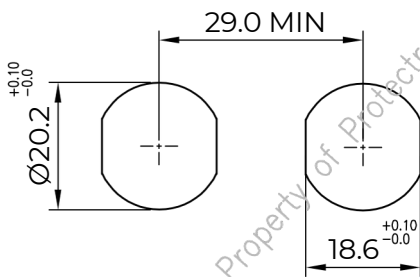
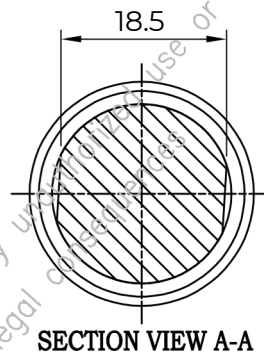
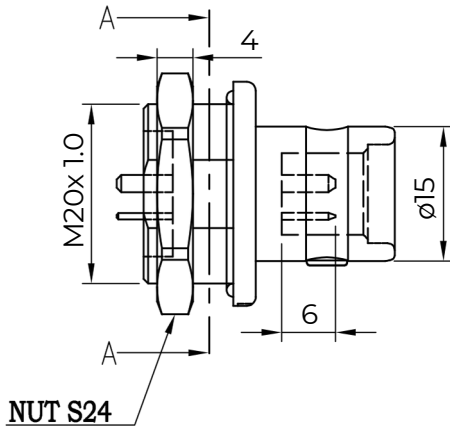
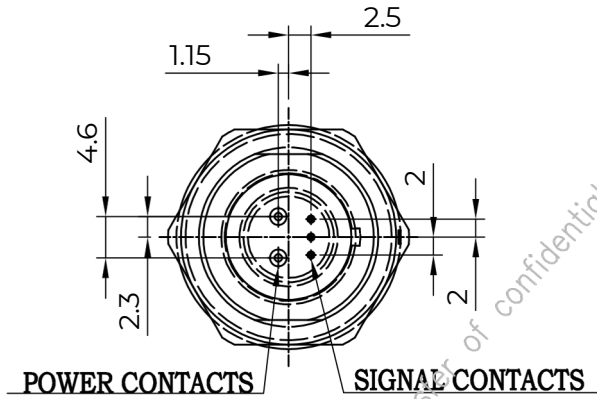
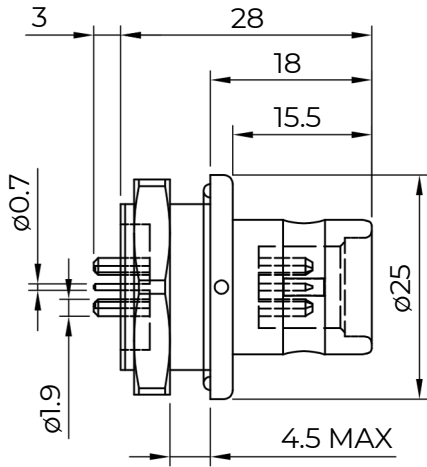
ENVIRONMENTAL DATA

TEMPERATURE RANGE : -55°C TO +125°C
PROTECTION CLASS : IP 68 (FOR BOTH MATING & UN-MATING CONDITIONS)

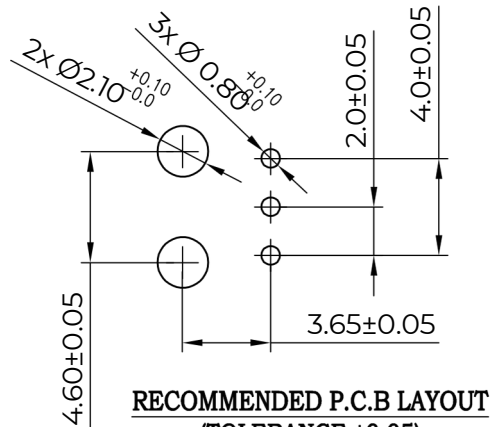


DESCRIPTION : 2K METAL CIRCULAR CONNECTOR, STRAIGHT PLUGS, 5 PIN, RoHS

PART NO: PMCP001-CM-5P-12



PANEL CUT-OUT
(SEE NOTE)



NOTE :-

- 1) IF MULTIPLE CONNECTORS ARE PLACED IN SAME LINE THEN MINIMUM 29MM PITCH SHALL BE MAINTAINED.



Scale: NTS

Sht. Size: A4

Gen. Tol.: ±0.25mm
±2'

ALL DIMENSIONS ARE IN MM.
IF UNLESS OTHERWISE SPECIFIED.