



DESCRIPTION : EV CHARGING VEHICLE SIDE (32A AC)

PART NO: PEVCS026-20-11-07

RoHS



ELECTRICAL PARAMETERS:

RATED VOLTAGE : 240V AC
RATED CURRENT : 32A, AC
SIGNAL CURRENT : 2A, <30V DC

MATERIAL AND FINISH

BODY : THERMOPLASTIC
TERMINALS : COPPER ALLOY, SILVER PLATING

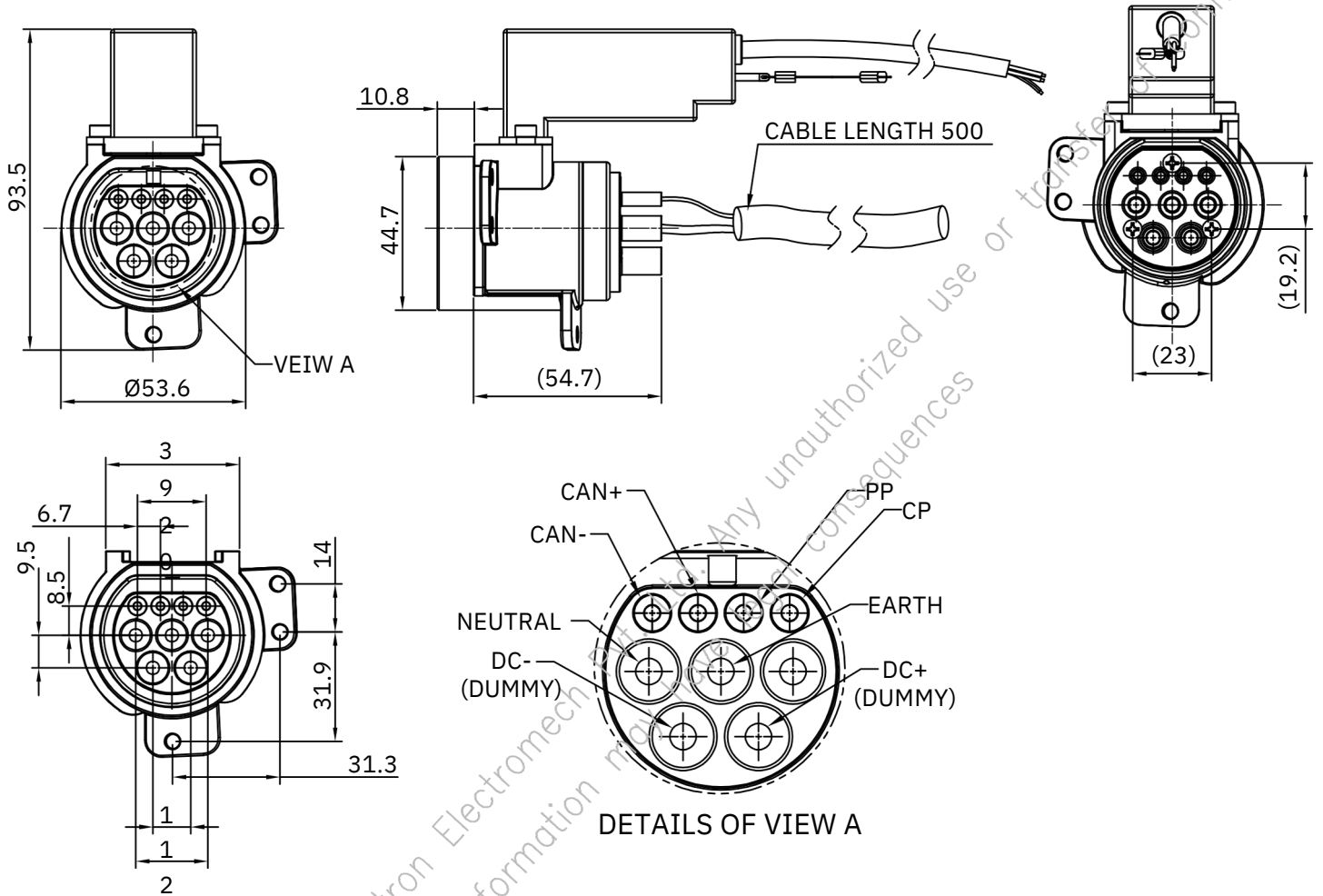
CHARGING CABLE : 32A AC, 3P+CAN+CAN- +PP+CP

DEGREE OF PROTECTION : IP44

AMBIENT TEMPERATURE : -25°C TO +40°C

DESCRIPTION :EV CHARGING VEHICLE SIDE (32A AC)

PART NO:PEVCS026-20-11-07



RECOMMENDED CABLE SPECIFICATION FOR 32A

FUNCTION	TERMINALS	GAUGE
SIGNAL	PP	0.5 Sqmm
	CP	0.5 Sqmm
	CAN-	0.5 Sqmm
	CAN+	0.5 Sqmm
EARTH	EARTH	2.5 Sqmm
AC	LIVE	2.5 Sqmm
	NEUTRAL	2.5 Sqmm

Projection:



Scale: NTS

Sht. Size: A4

Gen. Tol.: $\pm 0.35\text{mm}$
 $\pm 2^\circ$

ALL DIMENSIONS ARE IN MM.
IF UNLESS OTHERWISE SPECIFIED.