



DESCRIPTION : CCS2 COMBO, CHARGING SOCKET/VEHICLE INLET

PART NO : PEVCS024-20-11-09

RoHS



MATERIAL AND FINISH

BODY	:	THERMOPLASTIC, UL94 V-0
TERMINALS	:	COPPER ALLOY, SILVER PLATING

ELECTRICAL PARAMETERS

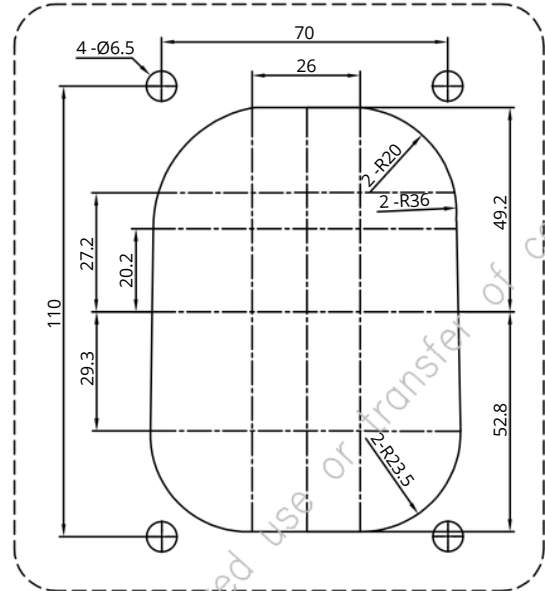
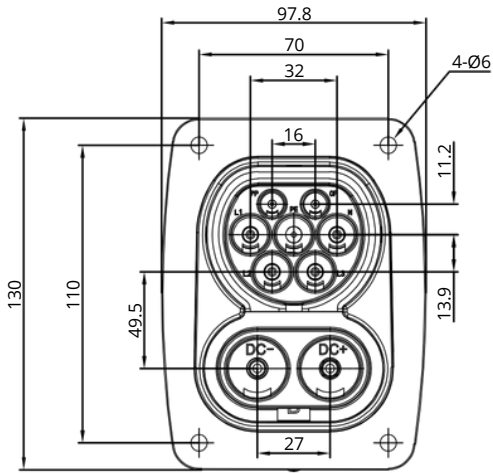
MAX VOLTAGE RATING	:	1000V DC / 415V AC
MAX CURRENT RATING	:	80A DC / 32A AC
DC MAX CHARGING POWER	:	500 KW
AC MAX CHARGING POWER	:	41.5 KW

MECHANICAL PARAMETERS

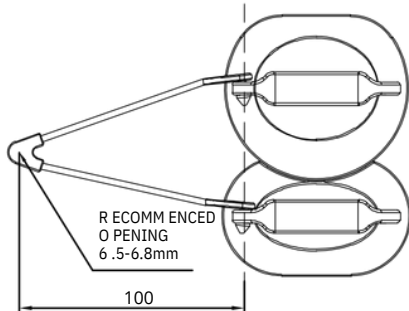
MATING CYCLES	:	1000 CYCLES
CHARGING CABLE (DC)	:	80A DC, (DC+)+(DC-)+PP+CP+PE
CHARGING CABLE (AC)	:	32A AC, 3P+N+PE+PP+CP
STANDARD	:	IEC 62196
DEGREE OF PROTECTION	:	IP54
AMBIENT TEMPERATURE	:	-30°C TO +50°C

DESCRIPTION : CCS2 COMBO, CHARGING SOCKET/VEHICLE INLET

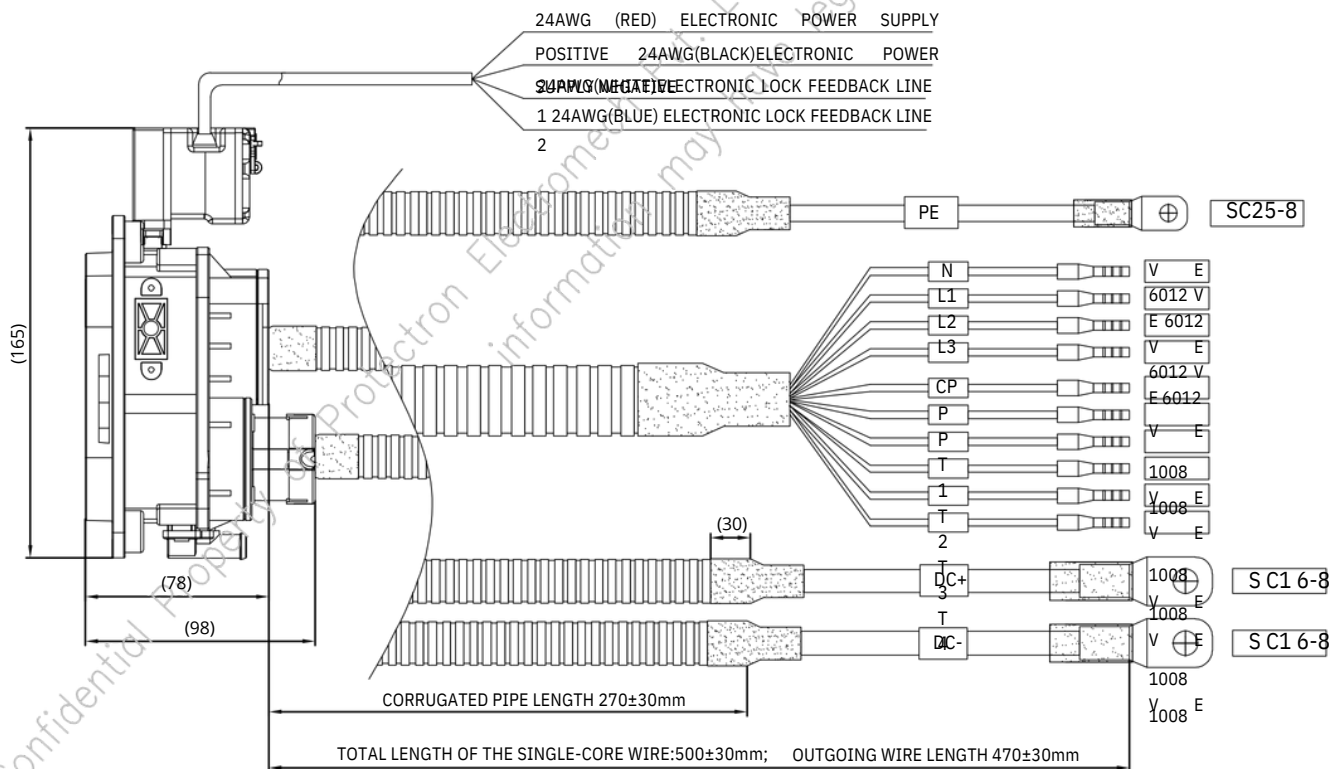
PART NO : PEVCS024-20-11-09



RECOMMENDED LAYOUT



PROTECTION CAP

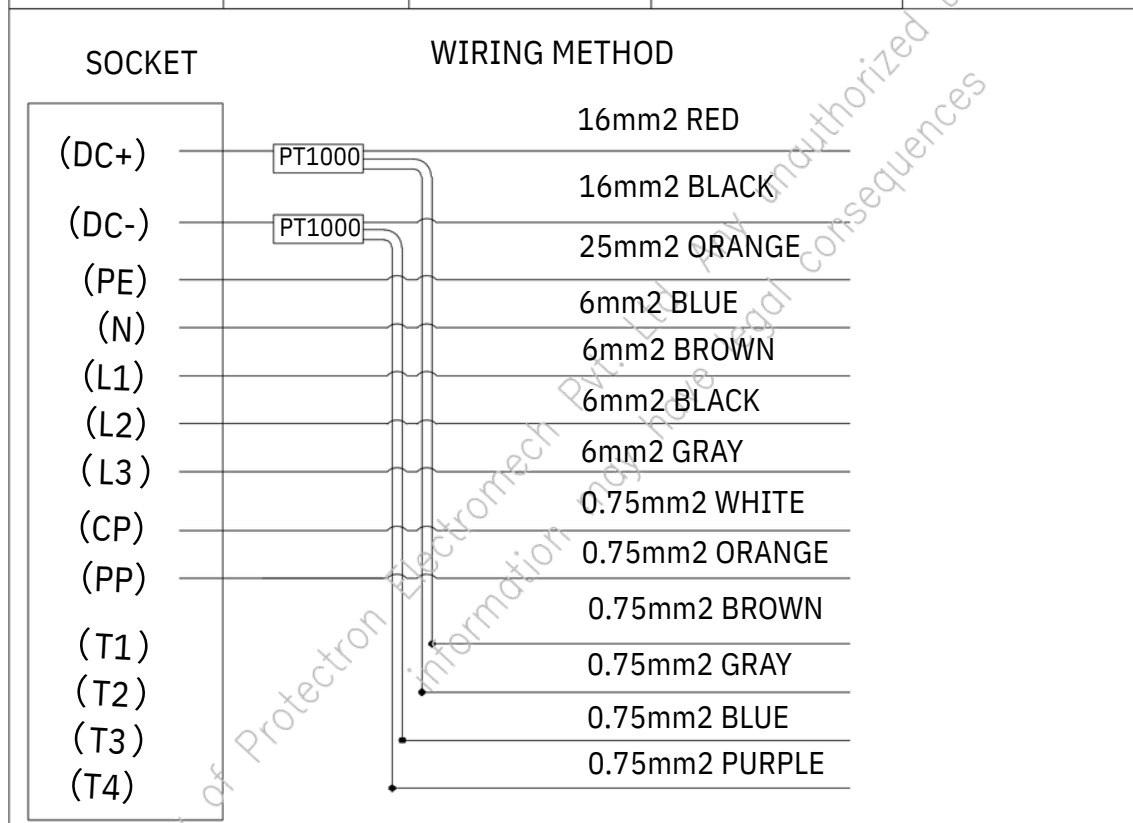
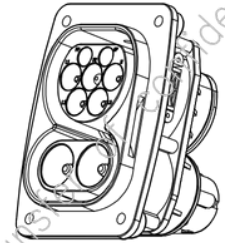


DESCRIPTION : CCS2 COMBO, CHARGING SOCKET/VEHICLE INLET

PART NO : PEVCS024-20-11-09

ELECTRIC LOCK OPERATION CONTROL DIAGRAM

12V(POWER+) RED WIRE	GND BLACK LINE	ELECTRONIC LOCK STATUS	FEEDBACK SWITCH STATUS
+	-	LOCKED STATE	ON (CLOSED)
-	+	UNLOCKED STATE	DISCONNECT



Projection:



Scale: NTS

Sht. Size: A4

 Gen. Tol.: $\pm 1\text{mm}$
 $\pm 2'$

 ALL DIMENSIONS ARE IN MM.
 IF UNLESS OTHERWISE SPECIFIED.