



DESCRIPTION : VEHICLE INLET CONNECTOR

PART NO:PEVCS018-20-11-07



MATERIAL AND FINISH

BODY : THERMOPLASTIC, UL94 V-0
TERMINALS : COPPER ALLOY, SILVER PLATING

ELECTRICAL PARAMETERS:

RATED CURRENT : 16A
RATED VOLTAGE : 250V

MECHANICAL PARAMETERS:

MECHANICAL LIFE : 5000 CYCLE
INSERTION FORCE : 70N <140N

STANDARD : IEC 62192-II

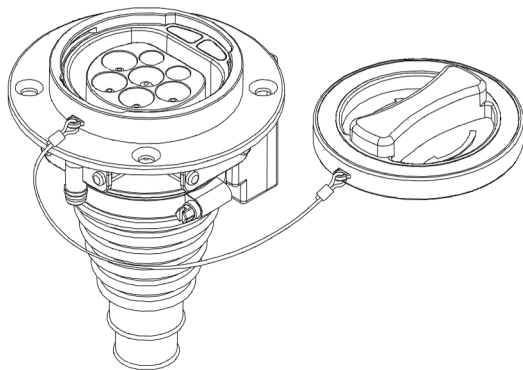
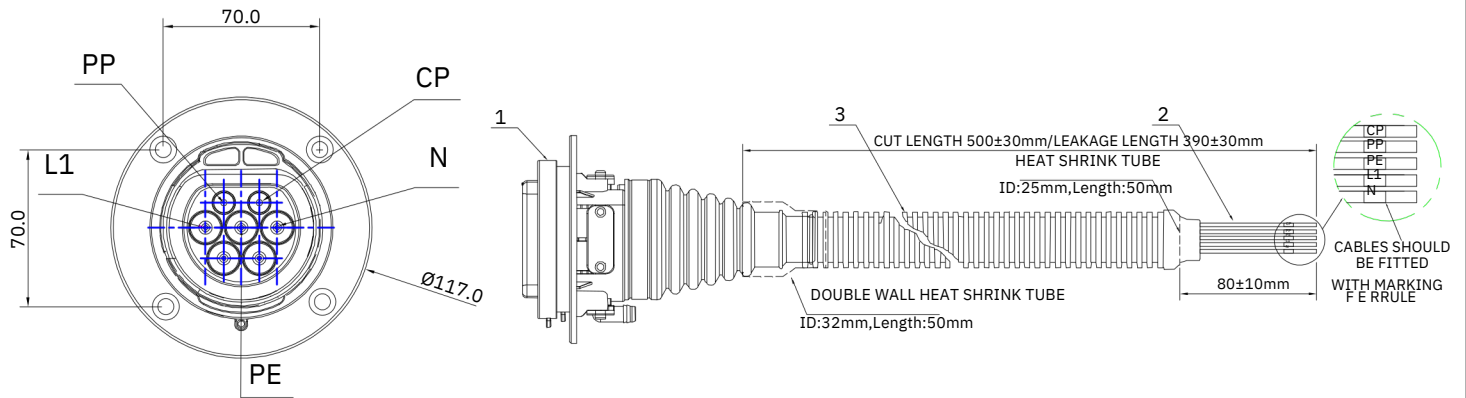
PROTECTION DEGREE : IP54

AMBIENT TEMPERATURE : -40°C TO +50°C



DESCRIPTION : VEHICLE INLET CONNECTOR

PART NO:PEVCS018-20-11-07



CP	0.5mm ² (orange)
PP	0.5mm ² (white)
	2.5mm ² (yellow/green)
L1	2.5mm ² (Brown)
N	2.5mm ² (Blue)

CABLE CONNECTION DETAILS

Projection:



Scale: NTS

Sht. Size: A4

Gen. Tol.: ±0.35mm
±2'

ALL DIMENSIONS ARE IN MM.
IF UNLESS OTHERWISE SPECIFIED.