



# PROTECTRON ELECTROMECH (P) LTD

DESCRIPTION : VEHICLE INLET CONNECTOR

PART NO: PEVCS018-20-11-07

RoHS



## MATERIAL AND FINISH

BODY : THERMOPLASTIC, UL94 V-0  
TERMINALS : COPPER ALLOY, SILVER PLATING

## ELECTRICAL PARAMETERS:

RATED CURRENT : 16A  
RATED VOLTAGE : 250V

## MECHANICAL PARAMETERS:

MECHANICAL LIFE : 5000 CYCLE  
INSERTION FORCE : 70N <140N

STANDARD : IEC 62192-II

PROTECTION DEGREE : IP54

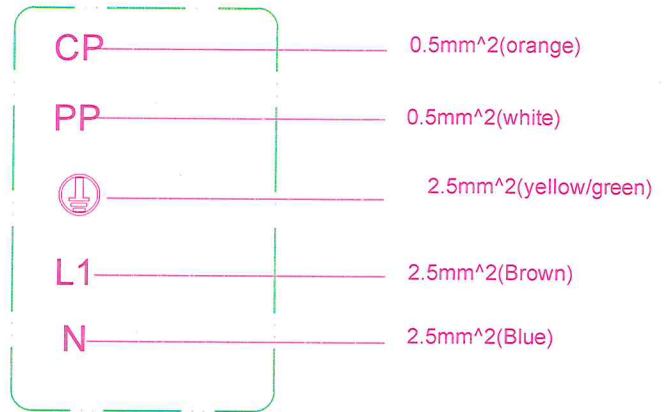
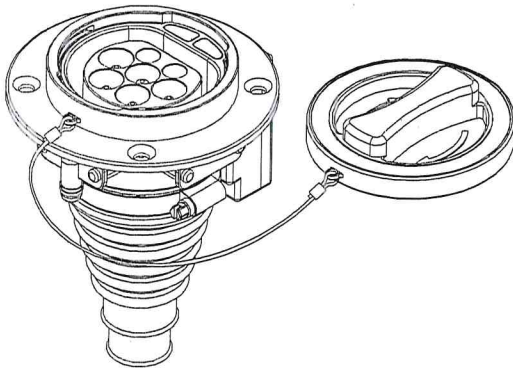
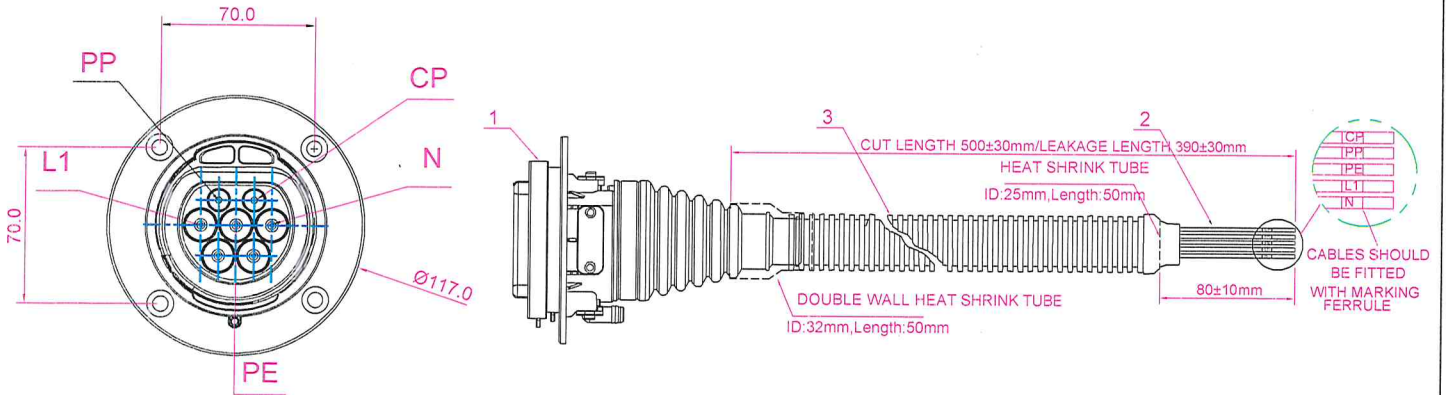
AMBIENT TEMPERATURE : -40°C TO +50°C



# PROTECTRON ELECTROMECH (P) LTD

DESCRIPTION : VEHICLE INLET CONNECTOR

PART NO: PEVCS018-20-11-07



### CABLE CONNECTION DETAILS

A	ORIGINAL	PRATAP	10.02.2024		10/2/24
REV.	DESCRIPTION	DRN. BY	DATE	CK'ED BY	APP'D BY
Projection: 	Scale: NTS	Sht. Size: A4	Gen. Tol.: $\pm 0.35$ mm $\pm 2^{\circ}$	ALL DIMENSIONS ARE IN MM. IF UNLESS OTHERWISE SPECIFIED.	