



DESCRIPTION : CCS2, FAST CHARGING PLUG HANDLE

PART NO : PEVCS013-20-11-05

RoHS



ELECTRICAL PARAMETERS

MAX VOLTAGE RATING	:	1000V DC
MAX CURRENT RATING	:	80A DC
SIGNAL CURRENT	:	2A, 30V MAX

MATERIAL AND FINISH

BODY	:	THERMOPLASTIC
TERMINALS	:	COPPER ALLOY, SILVER PLATING.

CHARGING CABLE	:	DC 80A, (DC+)+(DC-)+PE+PP+CP
MAX CHARGING POWER	:	80kW

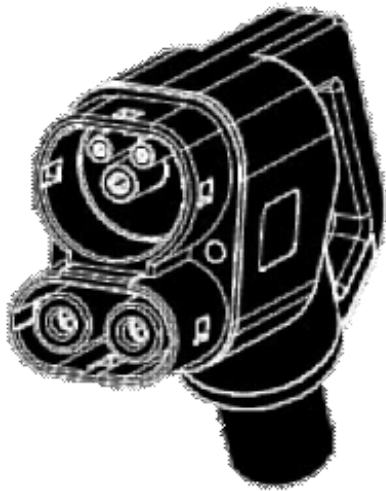
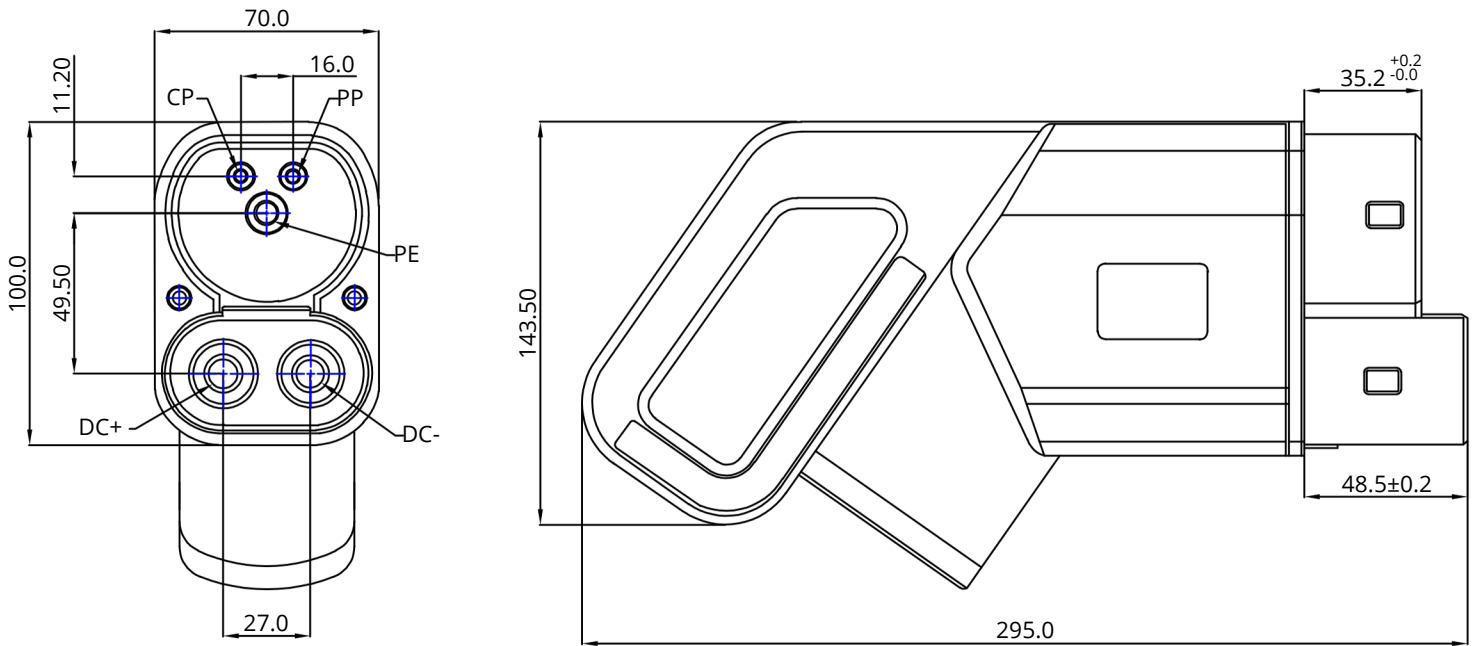
STANDARD	:	DIN EN 62196-3
----------	---	----------------

DEGREE OF PROTECTION	:	IP55
----------------------	---	------

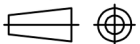
AMBIENT TEMPERATURE	:	-30°C TO +50°C
---------------------	---	----------------

DESCRIPTION : CCS2, FAST CHARGING PLUG HANDLE

PART NO : PEVCS013-20-11-05



Projection:



Scale: NTS

Sht. Size: A4

Gen. Tol.: ±1mm
±2'

ALL DIMENSIONS ARE IN MM.
IF UNLESS OTHERWISE SPECIFIED.