



DESCRIPTION : EV CHARGING PLUG HANDLE TYPE-7

PART NO:PEVCF037-09-11



RoHS



ELECTRICAL PARAMETERS:

RATED VOLTAGE : 240V AC
RATED CURRENT : 32A AC
SIGNAL CURRENT : 2A, <30V DC

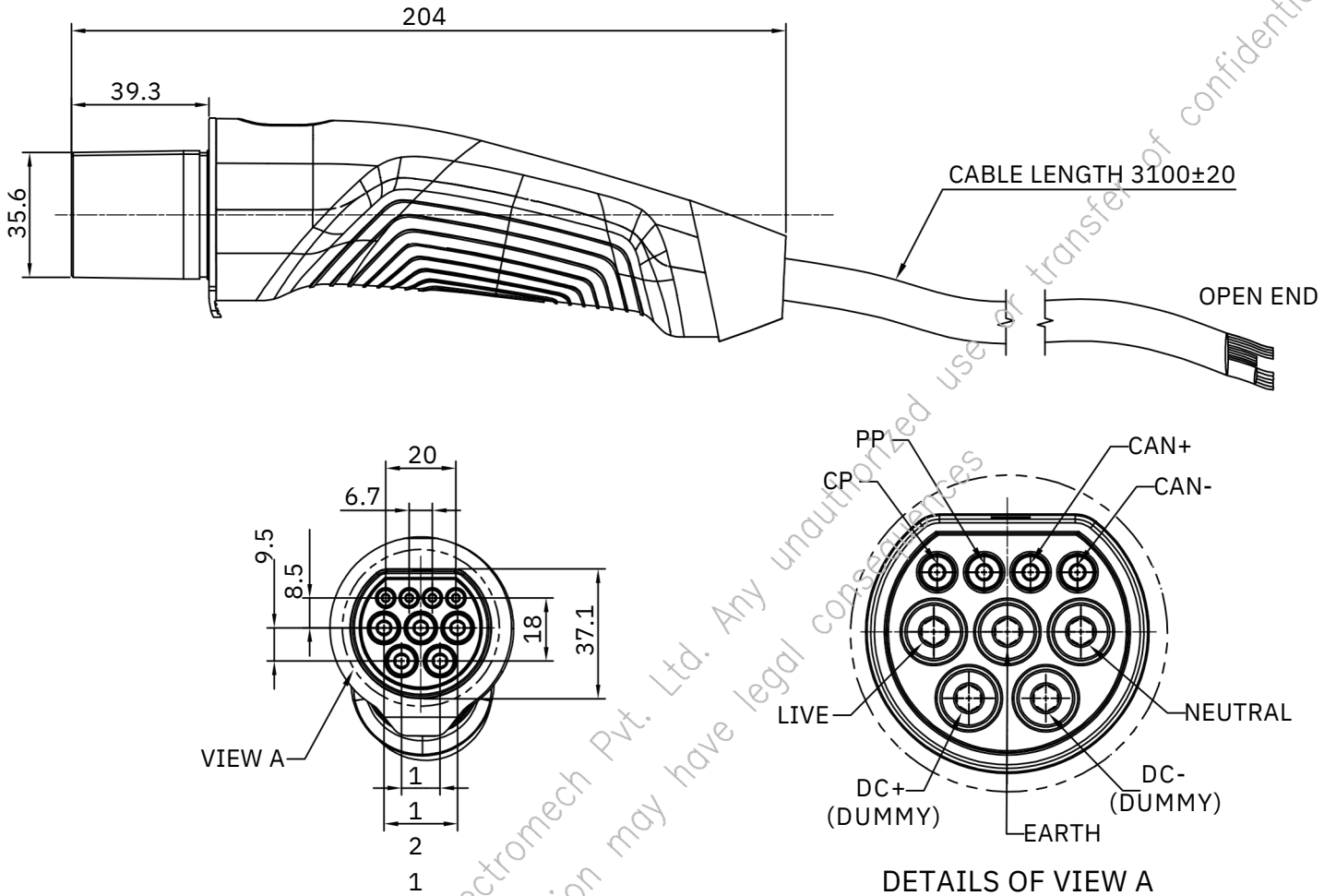
MATERIAL AND FINISH

BODY : THERMOPLASTIC
TERMINALS : COPPER ALLOY, SILVER PLATING

CHARGING CABLE : 32A AC, 3P+CAN+CAN- +PP+CP

DEGREE OF PROTECTION : IP44

AMBIENT TEMPERATURE : -25°C TO +40°C



Confidential Property of Protectron Electromech Pvt. Ltd. Any unauthorised use or transfer of confidential information may have legal consequences.

| | | | | |
|-----------------|------------|---------------|--|---|
| Projection: | Scale: NTS | Sht. Size: A4 | Gen. Tol.: $\pm 0.35\text{mm}$ $\pm 2'$ | ALL DIMENSIONS ARE IN MM. IF UNLESS OTHERWISE SPECIFIED. |
|-----------------|------------|---------------|--|---|