

DESCRIPTION : GBT PLUG HANDLE 200A.

PART NO: PEVCF024-09-11

RoHS



MATERIAL AND FINISH

MATERIAL : THERMOPLASTIC, UL94 V-0
TERMINALS : COPPER ALLOY, SILVER PLATING

ELECTRICAL PARAMETERS:

RATED CURRENT : 200A DC
RATED VOLTAGE : 1000V
INSULATION RESISTANCE : 500V DC
WITHSTAND VOLTAGE : 3500V

MECHANICAL PARAMETERS:

MECHANICAL LIFE : 10000 CYCLE

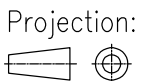
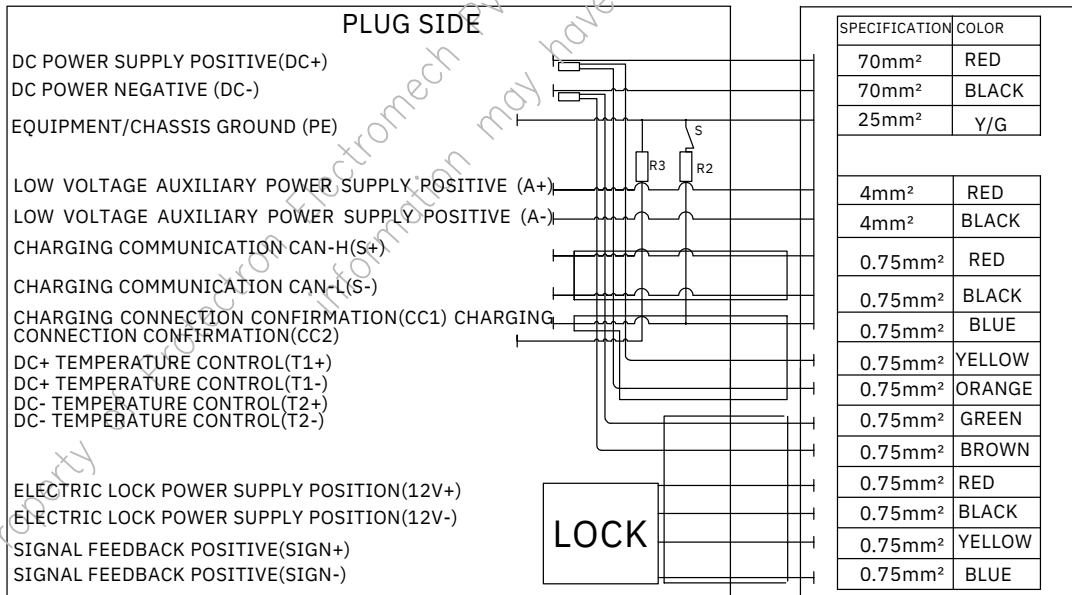
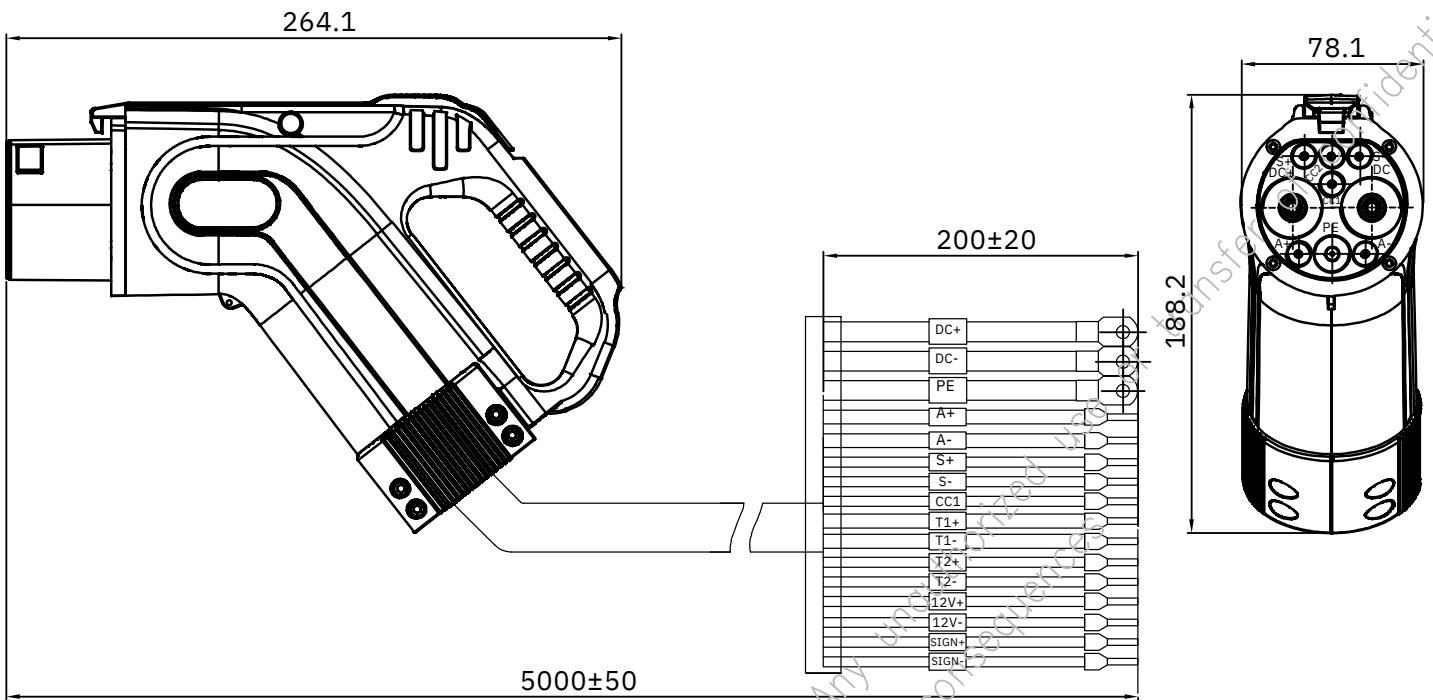
STANDARD : GB/T 20234.3-2015

PROTECTION DEGREE : IP55 (AFTER INSERTION)-IP54 (BEFORE INSERTION)

AMBIENT TEMPERATURE : -30°C TO +50°C

DESCRIPTION : GBT PLUG HANDLE 200A.

PART NO: PEVCF024-09-11



Scale: NTS

Sht. Size: A4

Gen. Tol.: ±0.35mm
±2'

ALL DIMENSIONS ARE IN MM.
IF UNLESS OTHERWISE SPECIFIED.