



DESCRIPTION : EV CHARGING PLUG HANDLE

PART NO: PEVCF018-07-11



ELECTRICAL PARAMETERS:

RATED VOLTAGE : 60V DC, 240V AC

RATED CURRENT : 55A DC, 32A AC

SIGNAL CURRENT : 2A, <30V DC

MATERIAL AND FINISH

BODY : THERMOPLASTIC

TERMINALS : COPPER ALLOY, SILVER PLATING

CHARGING CABLE : 55A, 3P+DC+DC- CAN+CAN- +PP+CP

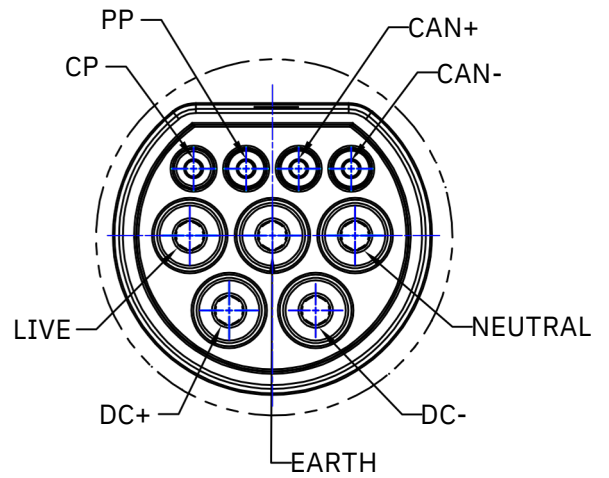
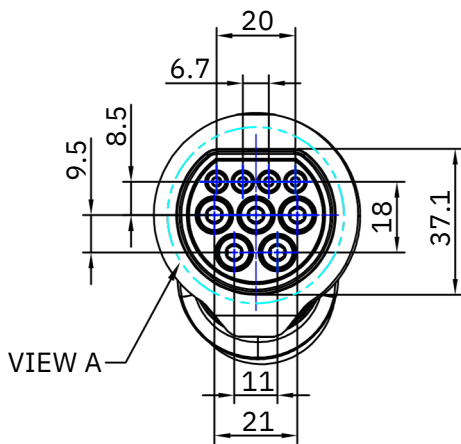
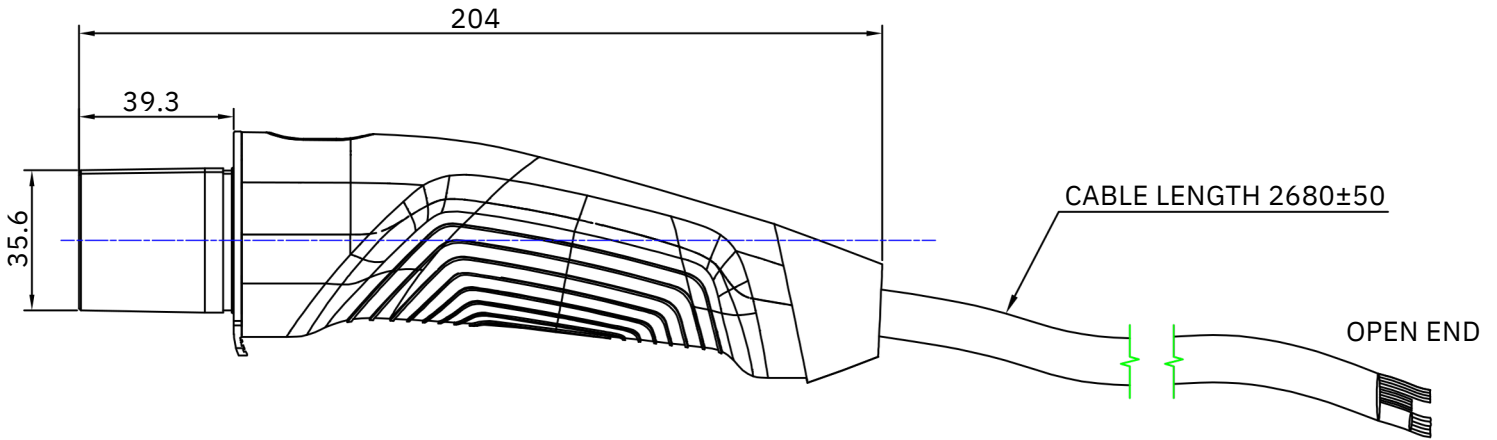
DEGREE OF PROTECTION : IP44

AMBIENT TEMPERATURE : -25°C TO +40°C



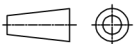
DESCRIPTION : EV CHARGING PLUG HANDLE

PART NO: PEVCF018-07-11



DETAILS OF VIEW A

Projection:



Scale: NTS

Sht. Size: A4

Gen. Tol.: $\pm 0.35\text{mm}$
 $\pm 2'$

ALL DIMENSIONS ARE IN MM.
IF UNLESS OTHERWISE SPECIFIED.