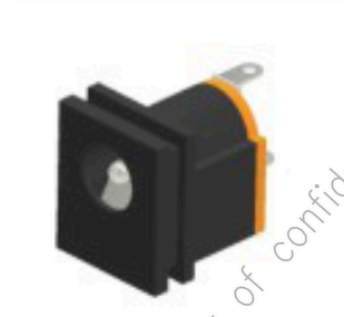




DESCRIPTION : DC POWER JACK, Ø2.0mm WITH 3 TERMINALS,
SQUARE BODY, STRAIGHT

PART NO: PDCJ08-01

RoHS



PHYSICAL DATA

MATERIAL & FINISH : REFER TABLE

ELECTRICAL DATA

CURRENT RATING : 5A

VOLTAGE RATING : 30V DC

MECHANICAL DATA

INSERTION FORCE : 1.50kgf TYP

EXTRACTION FORCE : 0.3 ~ 2.0Kgf

ENVIRONMENTAL DATA

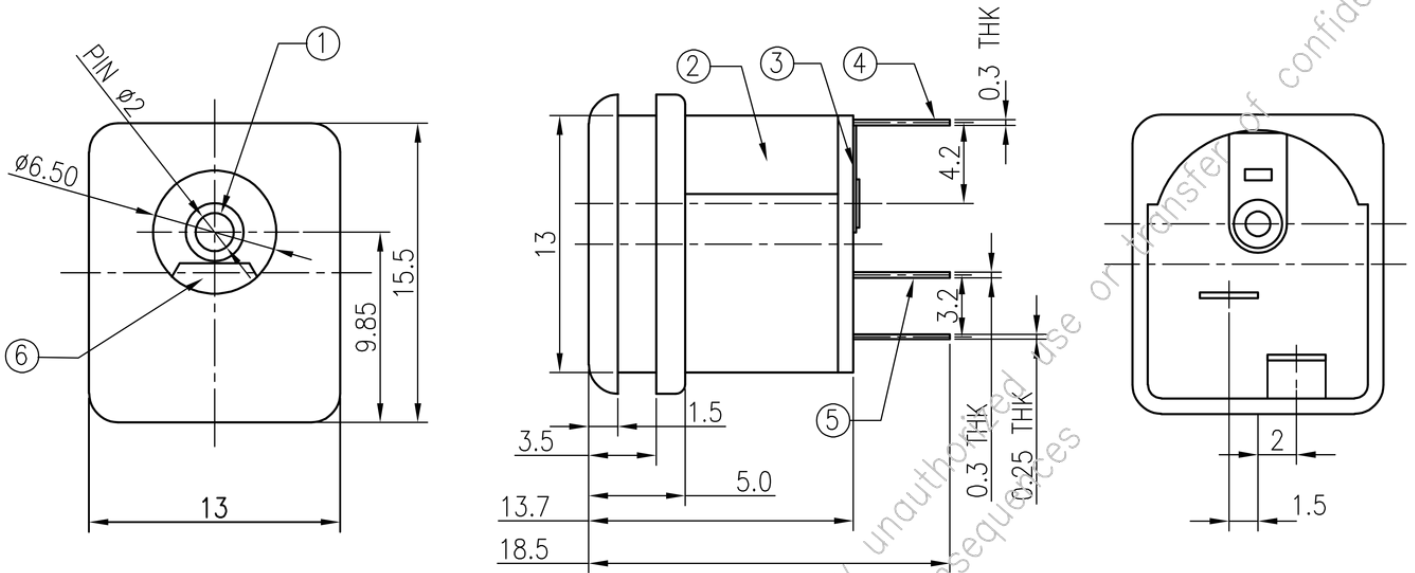
TEMPERATURE RANGE : -16°C TO +60°C

PROCESS RATING : 230±5° FOR 3 Seconds

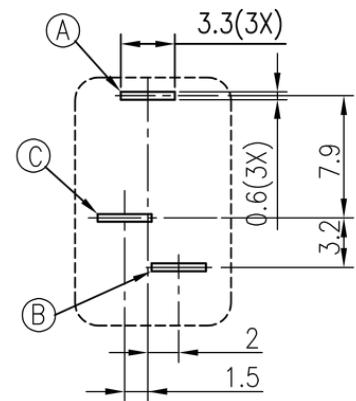
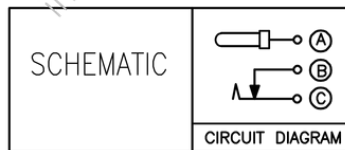


DESCRIPTION : DC POWER JACK, Ø2.0mm WITH 3 TERMINALS, SQUARE BODY, STRAIGHT

PART NO: PDCJ08-01



6	SPRING TERMINAL	PBS STRIP	SILVER PLATED OVER NICKEL PLATED	1
5	TERMINAL	BRASS STRIP	SILVER PLATED OVER NICKEL PLATED	1
4	TERMINAL	BRASS STRIP	SILVER PLATED OVER NICKEL PLATED	1
3	TERMINAL BASE	PHENOLIC RESIN	NATURAL	1
2	CASE	PC	BLACK	1
1	PLUG PIN	BRASS	NICKEL PLATED	1
NO.	NAME	MATERIAL	FINISH	QTY



Projection:



Scale: NTS

Sht. Size: A4

Gen. Tol.: ±0.50mm

ALL DIMENSIONS ARE IN MM.
IF UNLESS OTHERWISE SPECIFIED.