



**DESCRIPTION :** DC POWER JACK, Ø1.0mm WITH 3 TERMINALS

**PART NO:** PDCJ06-01

RoHS



### PHYSICAL DATA

MATERIAL : REFER TABLE  
COLOR : BLACK

### ELECTRICAL DATA

CURRENT RATING : 1.0A @ 12V DC  
CONTACT RESISTANCE :  $\leq 50m$   
INSULATION RESISTANCE :  $100M\Omega$  DC 500V  
DIELECTRIC STRENGTH : 500V AC for 1 minute.

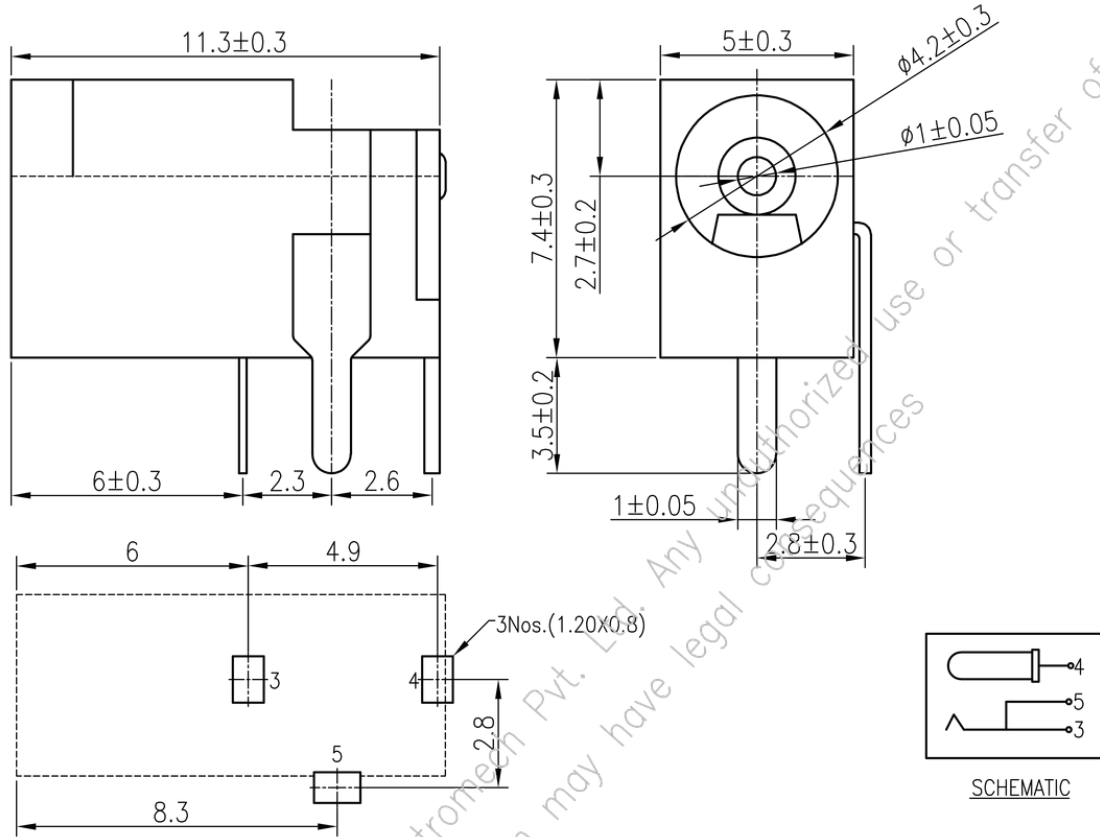
### ENVIRONMENTAL DATA

TEMPERATURE RANGE : -25° TO +85° C

### MECHANICAL DATA

INSERTION FORCE : 0.30 – 3.0kgf.  
EXTRACTION FORCE : 0.30 – 3.0kgf.  
MATING CYCLES : 5000 CYCLES at a speed of 10–25 cycles/minute.

**DESCRIPTION :** DC POWER JACK, Ø1.0mm WITH 3 TERMINALS

**PART NO:** PDCJ06-01


RECOMMENDED PCB LAYOUT

6	PLUG PIN	H59 BRASS	1	Ni PLATED
5	CONTACT	BRASS	1	CU-SN--Plating
4	FLAT PIECE	H62 BRASS	1	CU-SN--Plating
3	SPPLING	65MM STEEL	1	CU-SN--Plating
2	COVER	PBT	1	BLACK
1	HOUSING	ABS/PBT/PA55	1	BLACK
<b>NO.</b>	<b>PART NAME</b>	<b>MATERIAL</b>	<b>QTY.</b>	<b>FINISHING</b>

Projection:



Scale: NTS

Sht. Size: A4

 Gen. Tol.:  $\pm 0.35$ mm

 ALL DIMENSIONS ARE IN MM.  
 IF UNLESS OTHERWISE SPECIFIED.