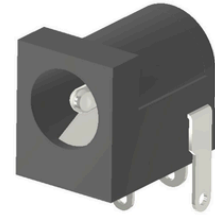




DESCRIPTION : DC POWER JACK, Ø2mm WITH LOCKING OPTION

PART NO: PDCJ01-01

RoHS



PHYSICAL DATA

MATERIAL & FINISH : REFER TABLE

ELECTRICAL DATA

INSULATION RESISTANCE : 100M OHMS Min. @ 500V DC for 1 minute.
DIELECTRIC STRENGTH : 500V AC FOR 1 MIN
CONTACT RESISTANCE : 30m OHMS MAX

MECHANICAL DATA

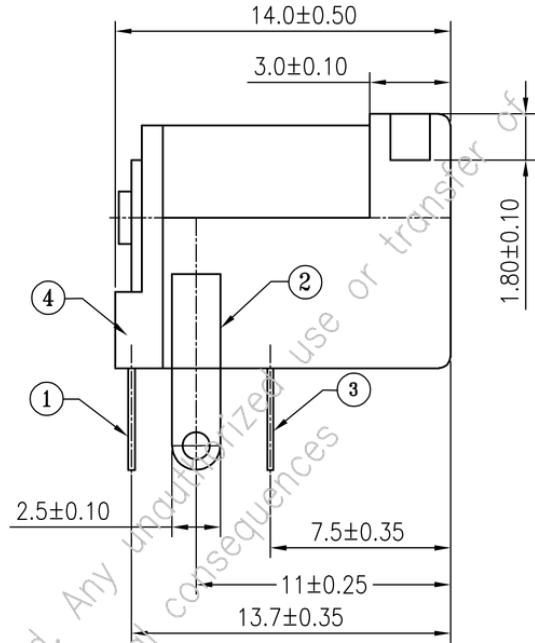
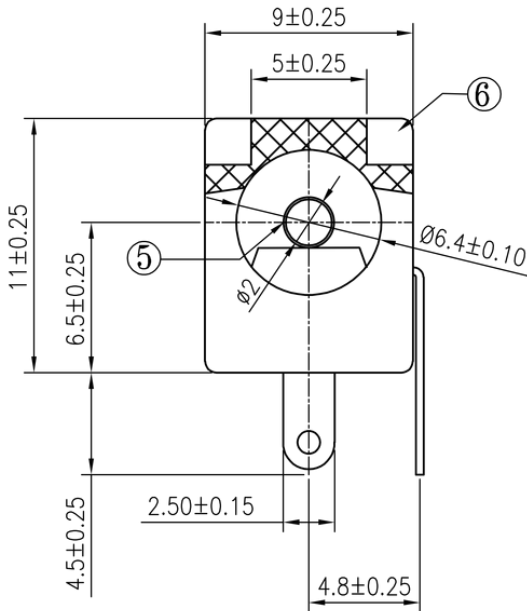
INSERTION FORCE : 1.50kgf TYP
EXTRACTION FORCE : 0.3 ~ 2.0Kgf

ENVIRONMENTAL DATA

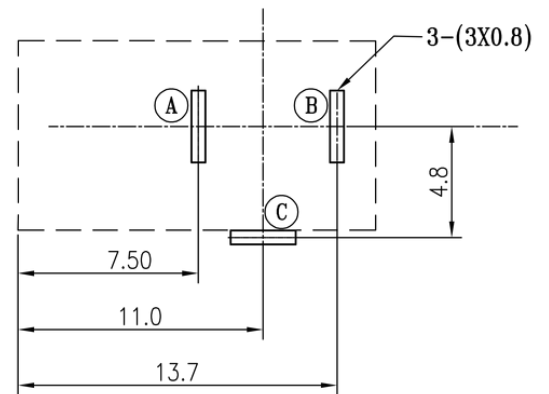
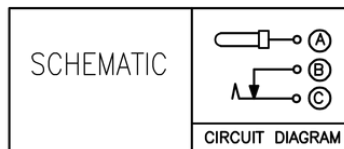
TEMPERATURE RANGE : -20° TO +80° C
PROCESS RATING : 230±5° FOR 3 Seconds

DESCRIPTION : DC POWER JACK, Ø2mm WITH LOCKING OPTION

PART NO: PDCJ01-01

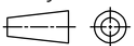


NO.	PART NAME	MATERIAL	QTY.	FINISHING
6	CASE	PBT/PC	1	BLACK
5	PLUG PIN A	2.0mm BRASS PIN	1	Ni PLATED
4	COVER	PBT/PC	1	BLACK
3	TERMINAL C	SUS	1	NATURAL
2	TERMINAL B	0.3mm BRASS STRIP	1	Ag OVER Ni PLATED
1	TERMINAL A	0.3mm BRASS STRIP	1	Ag OVER Ni PLATED



RECOMMENDED PCB LAYOUT(TOL.±0.05)

Projection:



Scale: NTS

Sht. Size: A4

Gen. Tol.: ±0.5mm
±0.2°

ALL DIMENSIONS ARE IN MM.
IF UNLESS OTHERWISE SPECIFIED.