



DESCRIPTION : In-LINE FUSE HOLDER FOR 5.2X20MM, 16AWG CABLE 150MM

PART NO: PCA003489



PHYSICAL DATA

HOLDER DETAILS

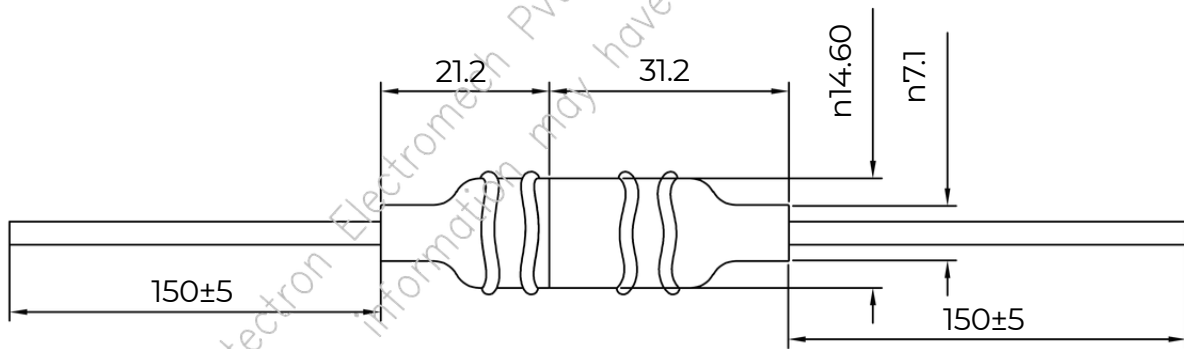
MATERIAL	:	TPV FLAME RETARDANT, UL 94V-0, BLACK COLOR
CONTACT	:	BRASS NICKEL PLATED
CABLE	:	PVC 1015 16# AWG RED COLOR.
FUSE	:	5.2X20MM

ELECTRICAL DATA

CURRENT RATING	:	20A MAX
RATED VOLTAGE	:	250-600V

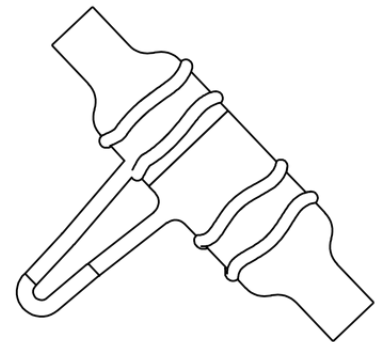
ENVIRONMENTAL DATA

OPERATING TEMP	:	-40°C TO +130°C
LWAD PULL STRENGTH	:	100N FOR 10S



NOTE

1. MOLDED COMPONENT SHALL BE FREE FROM FLASH, SHRINKAGE AND DENT MARKS.
2. COMPONENT SHALL BE FREE FROM SCORING MARKS.
3. WATER PROOF - IP68



Projection:



Scale: NTS

Sht. Size: A4

Gen. Tol.: ±0.35mm
±2°

ALL DIMENSIONS ARE IN MM.
IF UNLESS OTHERWISE SPECIFIED.