

**DESCRIPTION :** MEGA BOLT DOWN FUSE HOLDER, 70V, RoHS

**PART NO:** P803C-02



**RoHS**



### **PHYSICAL DATA**

INSULATOR

BASE

: PA66+30%G.F, UL94V-0

COLOR

: BLACK

### **ELECTRICAL DATA**

CURRENT RATING

: 60A-500A (DC)

VOLTAGE RATING

: 70V DC

### **ENVIRONMENTAL DATA**

TEMPERATURE RANGE

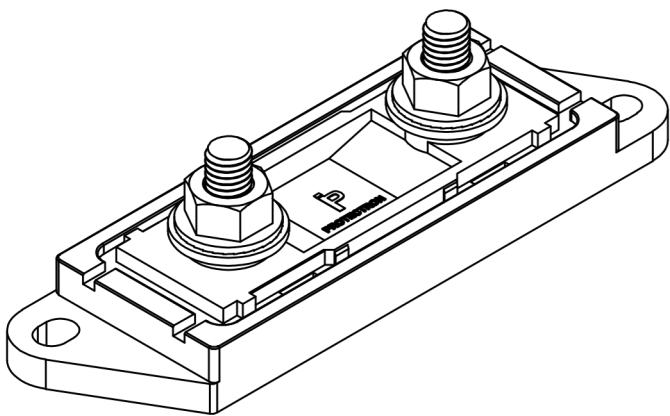
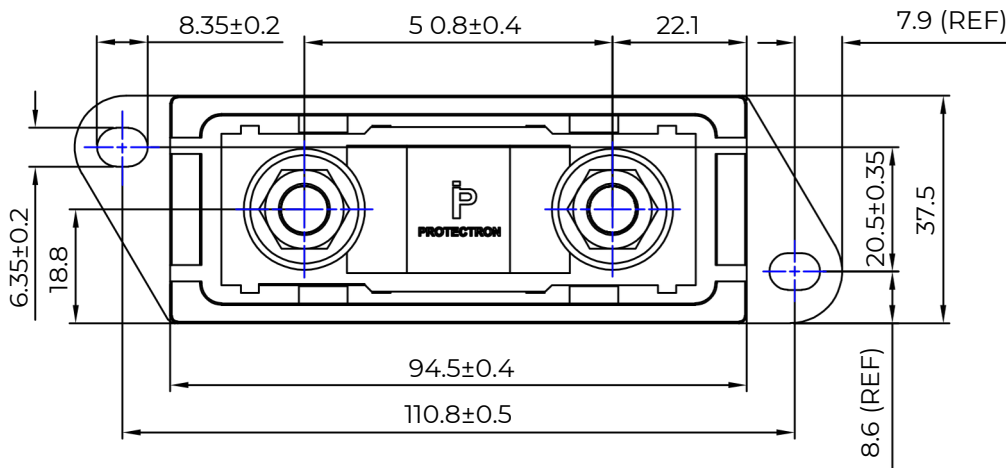
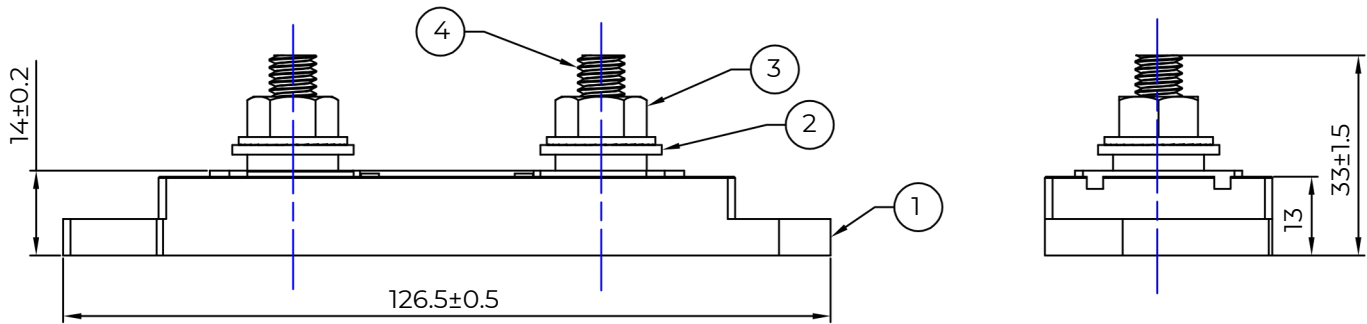
: -55°C TO +105°C

### **MECHANICAL DATA**

TORQUE

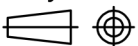
: 10 to 12 Nm

**DESCRIPTION :** MEGA BOLT DOWN FUSE HOLDER, 70V, RoHS

**PART NO:** P803C-02


BOM			
SL.NO	PART DESCRIPTION	MATERIAL GRADE	FINISH
1	FUSE BASE	PA66+30% GF, UL94-V0	-
2	M8 PLAIN WASHER	SS 202	PASSIVATION
3	M8 FLANGE NUT	SS 202	PASSIVATION
4	M8 FLANGE BOLT (INSERT MOLDED)	SS 202	PASSIVATION

Projection:



Scale: NTS

Sht. Size: A4

 Gen. Tol.:  $\pm 0.5\text{mm}$   
 $\pm 2'$ 

 ALL DIMENSIONS ARE IN MM.  
 IF UNLESS OTHERWISE SPECIFIED.