

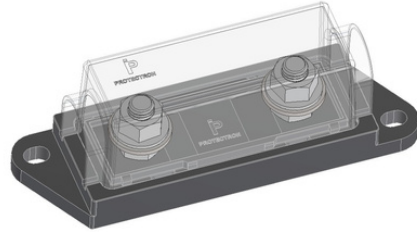


DESCRIPTION : MEGA BOLT DOWN FUSE HOLDER WITH COVER, 70V, RoHS

PART NO: P803C-03



RoHS



PHYSICAL DATA

INSULATOR

BASE : PA66+30%G.F, UL94V-0, BLACK.

COVER : POLYCARBONATE, UL94V-0, TRASPARENT.

ELECTRICAL DATA

CURRENT RATING : 60A-500A (DC)

VOLTAGE RATING : 70V DC

ENVIRONMENTAL DATA

TEMPERATURE RANGE : -55°C TO +105°C

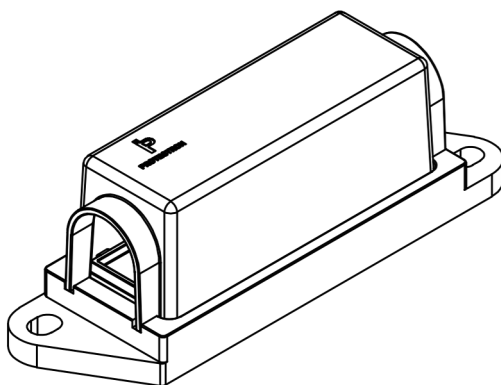
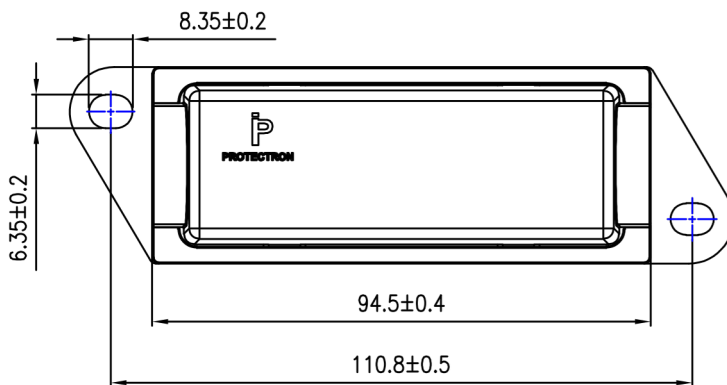
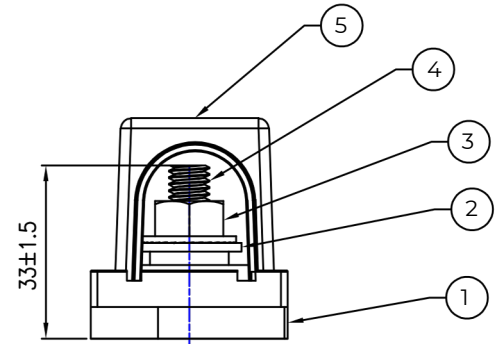
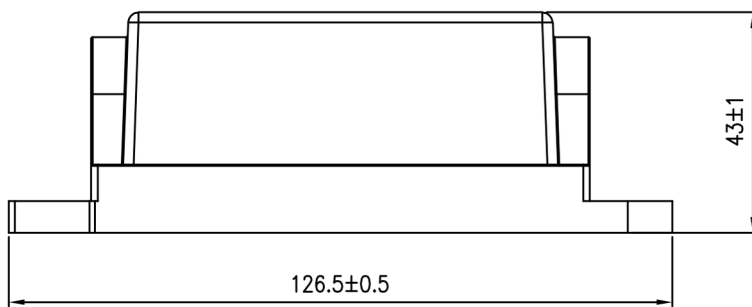
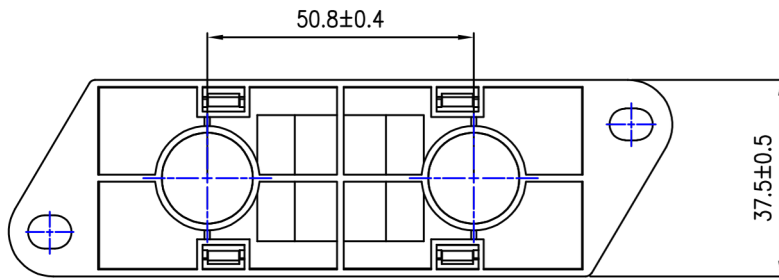
MECHANICAL DATA

TORQUE : 10 to 12 Nm

FUSE DATA

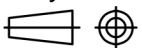
PBFM-KT In : 60A to 500A

DESCRIPTION : MEGA BOLT DOWN FUSE HOLDER WITH COVER, 70V, RoHS

PART NO: P803C-03


BOM			
SL.NO	PART DESCRIPTION	MATERIAL GRADE	FINISH
1	FUSE BASE	PA66+30% GF, UL94-V0	-
2	PLAIN WASHER	SS 202	PASSIVATION
3	M8 FLANGE NUT	SS 202	PASSIVATION
4	M8 FLANGE BOLT (INSERT MOLDED)	SS 202	PASSIVATION
6	COVER	PC, UL94-V0	-

Projection:



Scale: NTS

Sht. Size: A4

 Gen. Tol.: ±0.3mm
±2'

 ALL DIMENSIONS ARE IN MM.
IF UNLESS OTHERWISE SPECIFIED.