



**DESCRIPTION** : In-LINE FUSE HOLDER FOR 6.3X32MM, 14AWG CABLE 150MM

**PART NO:**PCA003397



**PHYSICAL DATA**  
**HOLDER DETAILS**

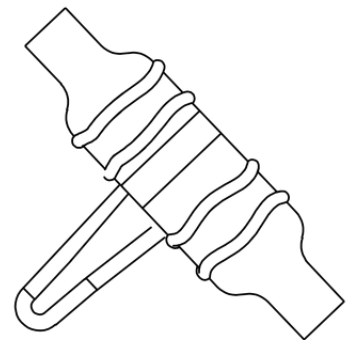
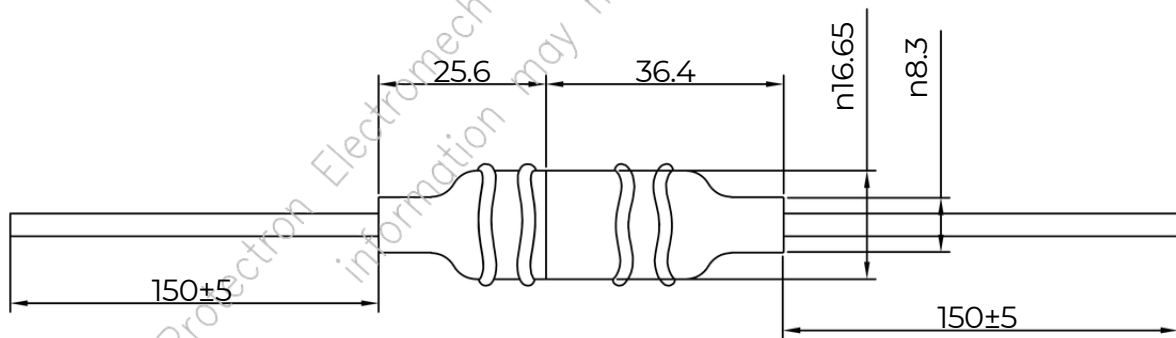
MATERIAL : TPV FLAME RETARDANT, UL 94V-0, BLACK COLOR  
 CONTACT : BRASS NICKEL PLATED  
 CABLE : PCV 1015 14# AWG RED COLOR.  
 FUSE : 6.3X32MM

**ELECTRICAL DATA**

CURRENT RATING : 20A MAX  
 RATED VOLTAGE : 250-600V

**ENVIRONMENTAL DATA**

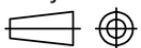
OPERATING TEMP : -40°C TO +130°C  
 LWAD PULL STRENGTH : 100N FOR 10S



**NOTE**

1. MOLDED COMPONENT SHALL BE FREE FROM FLASH, SHRINKAGE AND DENT MARKS.
3. COMPONENT SHALL BE FREE FROM SCORING MARKS.
4. WATER PROOF - IP68

Projection:



Scale: NTS

Sht. Size: A4

Gen. Tol.: ±0.35mm  
±2°

ALL DIMENSIONS ARE IN MM.  
IF UNLESS OTHERWISE SPECIFIED.