



**DESCRIPTION :** In-LINE FUSE HOLDER FOR 6.3X32MM, 14AWG CABLE 150MM

**PART NO:** PCA003397

RoHS



### PHYSICAL DATA

#### HOLDER DETAILS

MATERIAL	:	TPV FLAME RETARDANT, UL 94V-0, BLACK COLOR
CONTACT	:	BRASS NICKEL PLATED
CABLE	:	PCV 1015 16# AWG RED COLOR.
FUSE	:	5.2X20MM

### ELECTRICAL DATA

CURRENT RATING	:	20A MAX
RATED VOLTAGE	:	250-600V

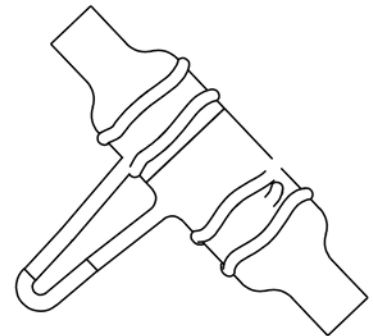
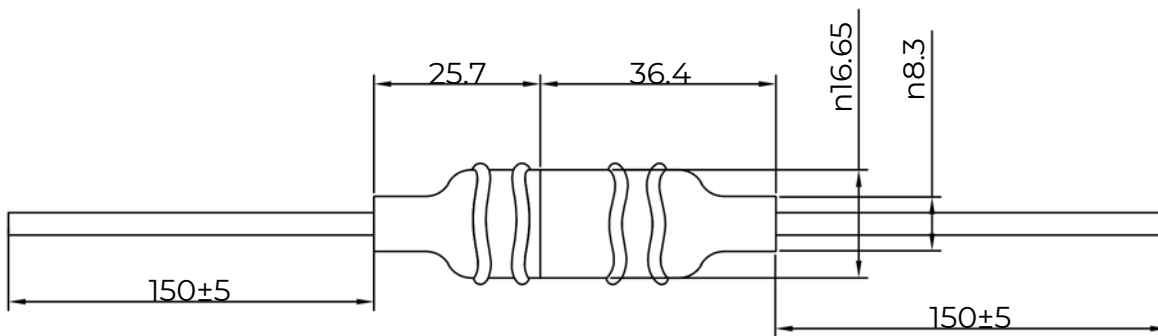
### ENVIRONMENTAL DATA

OPERATING TEMP	:	-40°C TO +130°C
LWAD PULL STRENGTH	:	100N FOR 10S



**DESCRIPTION :** In-LINE FUSE HOLDER FOR 6.3X32MM, 14AWG CABLE 150MM

**PART NO:** PCA003397



**NOTE**

1. MOLDED COMPONENT SHALL BE FREE FROM FLASH, SHRINKAGE AND DENT MARKS.
3. COMPONENT SHALL BE FREE FROM SCORING MARKS.
4. WATER PROOF - IP68

Projection:



Scale: NTS

Sht. Size: A4

Gen. Tol.: ±0.35mm  
±2°

ALL DIMENSIONS ARE IN MM.  
IF UNLESS OTHERWISE SPECIFIED.