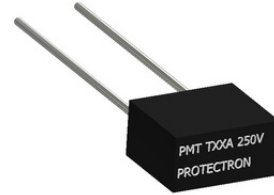




DESCRIPTION : RADIAL LEAD MICRO FUSES TIME LAG, 8A-10A

PART NO: PMT 8A-10A



PHYSICAL DATA

MATERIAL

BASE AND CAP : PA66, UL 94-V0. BLACK COLOR

ROUND PINS : COPPER, TIN PLATED

PACKAGING TYPE

IN BULK : 1000 pcs per box

ON TAPE : Ammo Pack, 1000pcs box

ELECTRICAL DATA

BREAKING CAPACITY : 100A AT 250V AC

RATED CURRENT : 8A-10A

RATED VOLTAGE : 250V AC

MECHANICAL PROPERTIES

TENSILE TEST : 3Kg

THRUST TEST : 2N

BENDING TEST : NO DAMAGE ARE TO BE VISUALIZED AFTER TWO BENDS OF OPPOSITE DIRECTIONS OF LEAD

ELECTRICAL CHARACTERISTIC

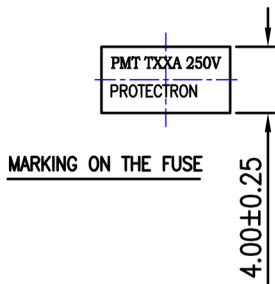
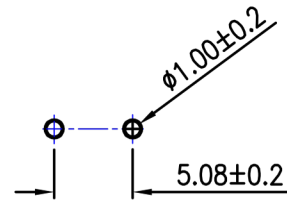
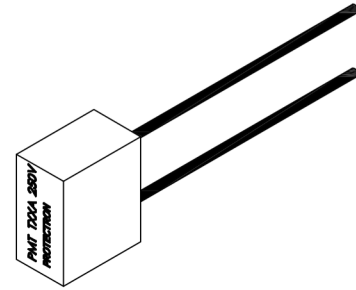
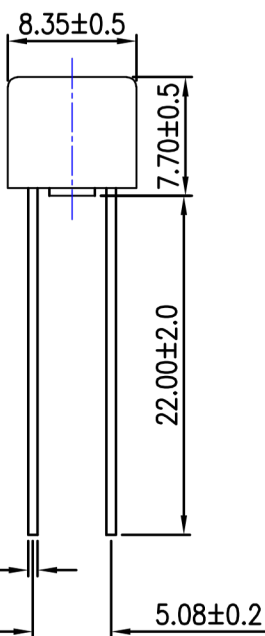
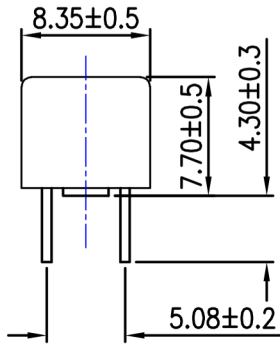
RATED CURRENT	1.5 In		2.1 In		2.75 In		4 In		10 In	
	MIN	MAX	MIN	MAX	MIN	MAX	MIN	MAX	MIN	MAX
8A-10A	60 min	2 min	400 ms	10 sec	150 ms	3 sec	15 ms	150 ms		



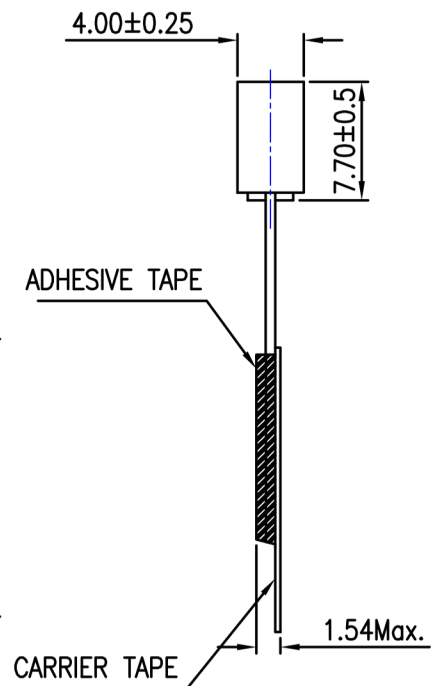
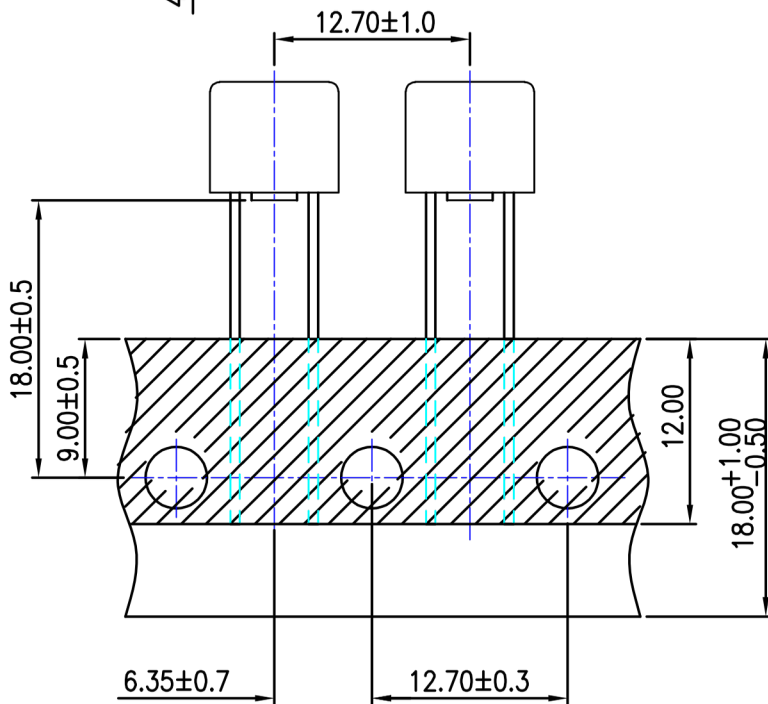
DESCRIPTION : RADIAL LEAD MICRO FUSES TIME LAG, 8A-10A PART NO: PMT 8A-10A

SHORT LEADS

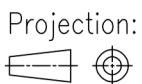
LONG LEADS



MOUNTING HOLES



XXA-8A OR 10A



Scale: NTS

Sht. Size: A4

Gen. Tol.: ±0.25mm
±2°

ALL DIMENSIONS ARE IN MM.
IF UNLESS OTHERWISE SPECIFIED.



DESCRIPTION : RADIAL LEAD MICRO FUSES TIME LAG, 8A-10A

PART NO: PMT 8A-10A

TIME LAG FUSES TYPE PMT

PROTECTRON PART NUMBERS	Ampere Rating (In)	Voltage Rating (V)	Nominal Resistance Cold Ohms	Voltage Drop (mv) max	Nominal Melting I^2t A ² Sec
PMT 8A	8A	250V	0.0057	100	204.00
PMT 10A	10A	250V	0.0030	100	310.00

Projection:



Scale: NTS

Sht. Size: A4

Gen. Tol.: ±0.25mm
±2°

ALL DIMENSIONS ARE IN MM.
IF UNLESS OTHERWISE SPECIFIED.