



DESCRIPTION : BABY In-LINE FUSE HOLDER FOR 6.3X32mm FUSE,
THREADED TYPE 100mm LONG.

PART NO : PCA001478

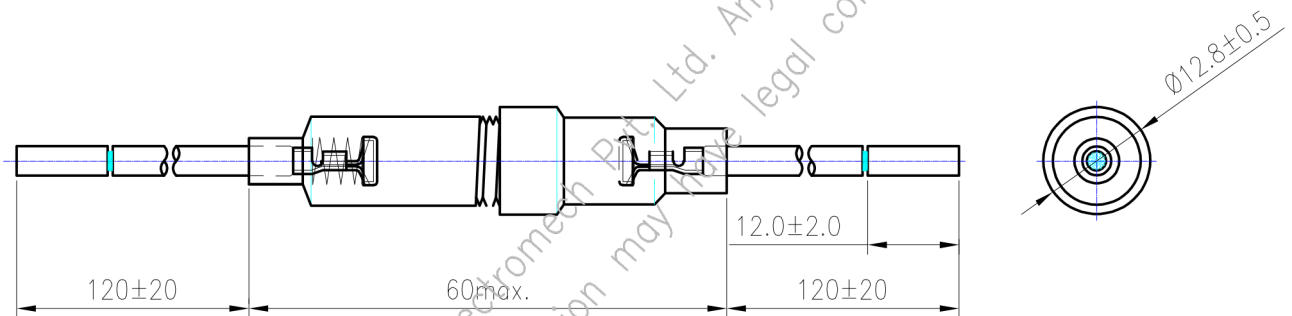


RoHS



PHYSICAL DATA

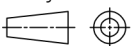
BODY : NYLON(FR), BLACK
CONTACTS & CABLE : BRASS TERMINALS CRIMPED
WITH PVC CABLE



NOTE:-

1. FUSE ENCLOSED IN-LINE FUSE HOLDER THREADED COUPLING.
2. HARNESS WIRE SHALL BE 24/0.20, RED COLOUR.
3. THE CONTACT RESISTANCE SHALL BE 5 mililoHM MAX.
4. CRIMPED TERMINAL SHALL WITHSTAND MIN. 3KG.

Projection:



Scale: NTS

Sht. Size: A4

Gen. Tol.: $\pm 0.1 \text{ mm}$
 $\pm 0.2^\circ$

ALL DIMENSIONS ARE IN MM.
IF UNLESS OTHERWISE SPECIFIED.