



DESCRIPTION : BABY In-LINE FUSE HOLDER FOR 5.2x20mm FUSE,
THREADED TYPE 100mm LONG.

PART NO: PCA001448



RoHS



PHYSICAL DATA:

HOLDER DETAILS

MATERIAL: NYLON,UL94V-0, BLACK COLOR.

CONTACT: COPPER ALLOY.

FINISH : NICKEL PLATING.

ELECTRICAL DATA:

CURRENT RATING : 2A

INSULATION RESISTANCE AT 500V DC : 1000M Ω

CONTACT RESISTANCE : 5m Ω MAX.

HIGH VOLTAGE BREAK DOWN (FOR MINUTE) : 2KV AC

ENVIRONMENTAL DATA:

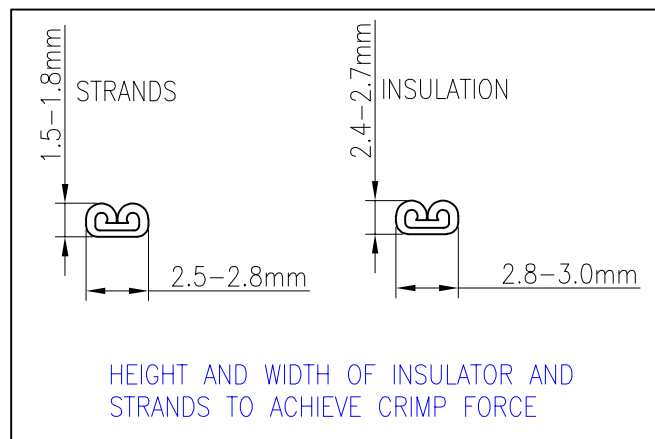
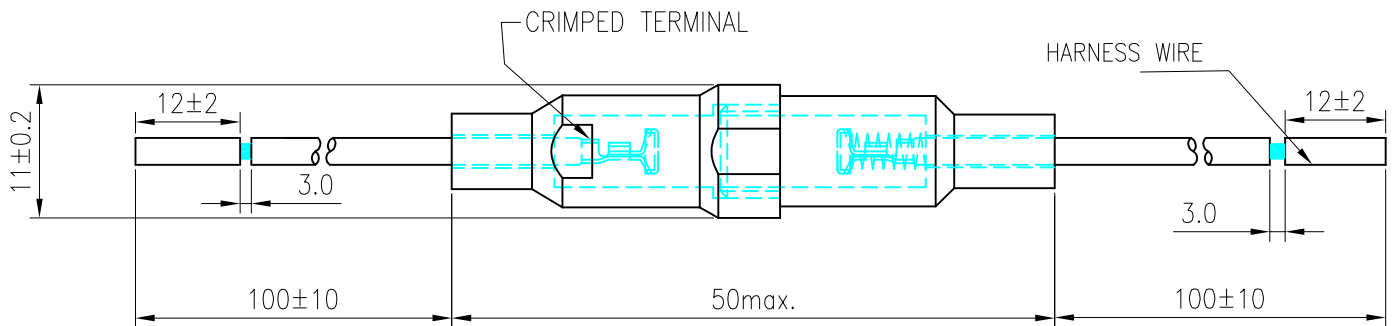
PERMISSIBLE TEMPERATURE :

(A) WITH / WITHOUT LOAD : -20°C TO +85°C

(B) FOR SOLDERING : 270°C, 5 Sec MAX.

DESCRIPTION : BABY In-LINE FUSE HOLDER FOR 5.2x20mm FUSE,
THREADED TYPE 100mm LONG.

PART NO: PCA001448



NOTE:

HARNESS WIRE SHALL BE 16/0.20, RED COLOUR

CRIMPED TERMINAL SHALL WITHSTAND MIN. 4KG.