



PROTECTRON ELECTROMECH (P) LTD

DESCRIPTION : MIDI BOLT DOWN FUSE

PART NO: PBFT-LCT-In
(REFER TABLE)

RoHS



PHYSICAL DATA

TOP HOUSING : NYLON66 (PA66), BLACK COLOR, UL 94-V0.
BOTTOM HOUSING : NYLON66 (PA66), BLACK COLOR, UL 94-V0.
STRIP : COPPER, Sn PLATED

ELECTRICAL DATA

INTERRUPTING RATING : 1000A @ 32VDC
VOLTAGE RATING : 32VDC

ENVIRONMENTAL DATA

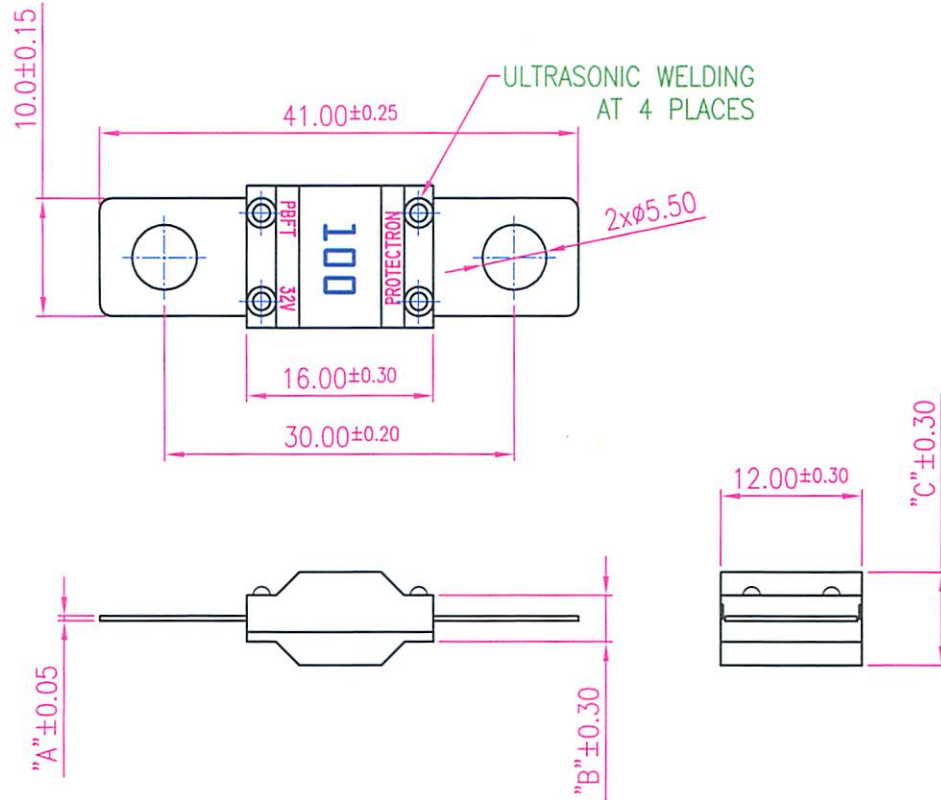
OPERATING TEMPERATURE : -40°C to +125°C



PROTECTRON ELECTROMECH (P) LTD

DESCRIPTION : MIDI BOLT DOWN FUSE

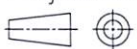
PART NO: PBFT-LCT-In
(REFER TABLE)



PART NUMBER	"A" mm(inch)	"B" mm(inch)	"C" mm(inch)	CURRENT RATING	FONT COLOR	TYP.VOLTAGE DROP	TYP. COLD RESISTANCE	TYP. ² t (A ² s)
PBFT-LCT-20A	0.41 (0.016)	4.0 (0.157)	8.0 (0.315)	20 A	ORANGE	83 mV	3.13 mΩ	5152
PBFT-LCT-30A	0.41 (0.016)	4.0 (0.157)	8.0 (0.315)	30 A	ORANGE	65 mV	2.1 mΩ	4160
PBFT-LCT-40A	0.41 (0.016)	4.0 (0.157)	8.0 (0.315)	40 A	GREEN	65 mV	1.39 mΩ	10,208
PBFT-LCT-50A	0.41 (0.016)	4.0 (0.157)	8.0 (0.315)	50 A	RED	65 mV	1.07 mΩ	13,352
PBFT-LCT-60A	0.41 (0.016)	4.0 (0.157)	8.0 (0.315)	60 A	YELLOW	68 mV	0.89 mΩ	21,657
PBFT-LCT-70A	0.41 (0.016)	4.0 (0.157)	8.0 (0.315)	70 A	BROWN	70 mV	0.695 mΩ	24,125
PBFT-LCT-80A	0.41 (0.016)	4.0 (0.157)	8.0 (0.315)	80 A	WHITE	58 mV	0.587 mΩ	24,761
PBFT-LCT-100A	0.63 (0.025)	4.3 (0.169)	8.3 (0.327)	100 A	BLUE	60 mV	0.457 mΩ	51,246
PBFT-LCT-125A	0.63 (0.025)	4.3 (0.169)	8.3 (0.327)	125 A	PINK	71 mV	0.394 mΩ	73,354
PBFT-LCT-150A	0.63 (0.025)	4.3 (0.169)	8.3 (0.327)	150 A	GREY	77 mV	0.323 mΩ	81,768
PBFT-LCT-175A	0.63 (0.025)	4.3 (0.169)	8.3 (0.327)	175 A	BLACK	77 mV	0.285 mΩ	105,101
PBFT-LCT-200A	0.63 (0.025)	4.3 (0.169)	8.3 (0.327)	200 A	VIOLET	77 mV	0.261 mΩ	125,253

A	ORIGINAL	CHETAN	03.01.2017	<i>[Signature]</i>	<i>[Signature]</i>
REV.	DESCRIPTION	DRN BY	DATE	CK'ED BY	APP'D BY

Projection:



Scale: NTS

Sht. Size: A4

Gen. Tol.: ±0.15mm
±2°

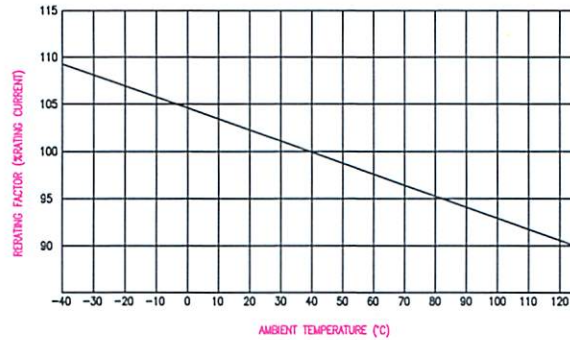
ALL DIMENSIONS ARE IN MM.
IF UNLESS OTHERWISE SPECIFIED.



DESCRIPTION : MIDI BOLT DOWN FUSE

PART NO: PBFT-LCT-In
(REFER TABLE)

TEMPERATURE DERATING CURVE



TIME-CURRENT CHARACTERISTICS

% of Rating A	Opening Time Min / Max (s)	
	20A-125A	150-200A
75	-/-	360,000 s/-
100	360,000 s/-	-/-
110	14,400 s/-	-/-
150	90 s/3,600 s	-/-
200	3 s/100 s	1 s/15 s
300	0.3 s/3 s	-/-
350	-/-	0.3 s/5 s
500	0.1 s/1 s	0.1 s/1 s

ORDERING INFORMATION

PBFT-LCT-In
(REFER TABLE)

MOQ- AS SPECIFIED
SPQ- AS SPECIFIED