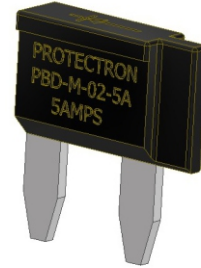




**DESCRIPTION** : MINI DIODE 5AMPS

**PART NO:** PBD-M-02-5A

RoHS



### PHYSICAL DATA

INSULATOR MATERIAL	:	NYLON 6, FR GRADE
FLAMMABILITY	:	UL94V-0
COLOR	:	BLACK
CONTACT MATERIAL	:	ZINC, ZINC ALLOY
FINISH	:	3.175 $\mu$ -5.71 $\mu$ Sn PLATING OVER 1.016 $\mu$ -2.032 $\mu$ Cu

### ELECTRICAL DATA

AVERAGE OUTPUT CURRENT	:	5A
VOLTAGE RATING	:	40V
DIELECTRIC WITHSTANDING	:	500V AC/MIN
CONTACT RESISTANCE	:	20m OHMS MAX

### MECHANICAL DATA

INSERTION FORCE	:	200g MAX
EXTRACTION FORCE	:	20g MIN
MECHANICAL LIFE	:	100 CYCLE MIN

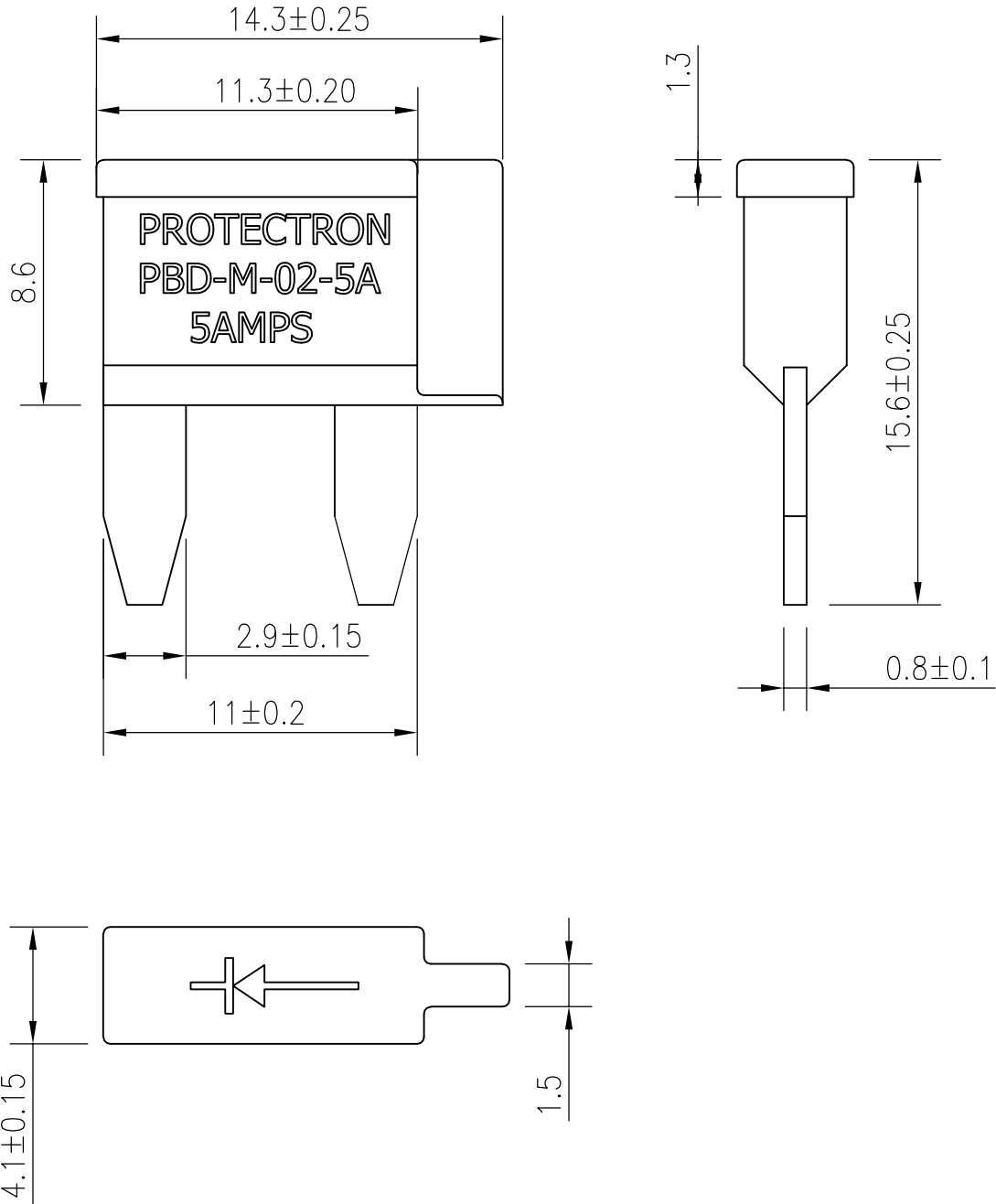
### ENVIRNOMENTAL DATA

TEMPARATURE RANGE	:	-40° TO +105°C
PROCESS RATING	:	180°C FOR 5SEC

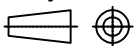


DESCRIPTION : MINI DIODE 5AMPS

PART NO: PBD-M-02-5A



Projection:



Scale: **NTS**

Sht. Size: **A4**

Gen. Tol.:  $\pm 0.25$ mm

ALL DIMENSIONS ARE IN MM.  
IF UNLESS OTHERWISE SPECIFIED.