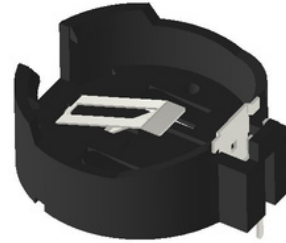




**DESCRIPTION :** COIN BATTERY HOLDER, HORIZONTAL MOUNT

**PART NO:** PBATH11-20-19



### PHYSICAL DATA

#### MATERIAL

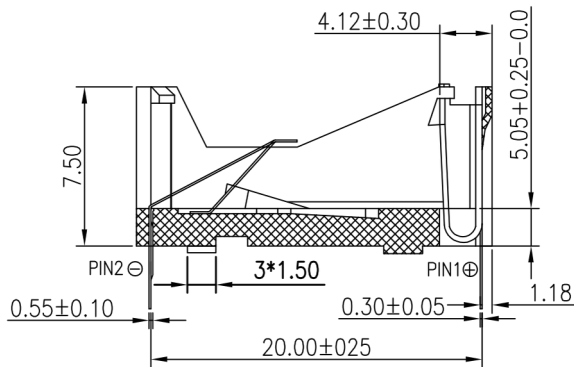
INSULATOR	:	PBT+30%G.F
FLAMMABILITY	:	UL94V-0
COLOR	:	BLACK
CONTACT	:	COPPER ALLOY, FIN PLATING

### ELECTRICAL DATA

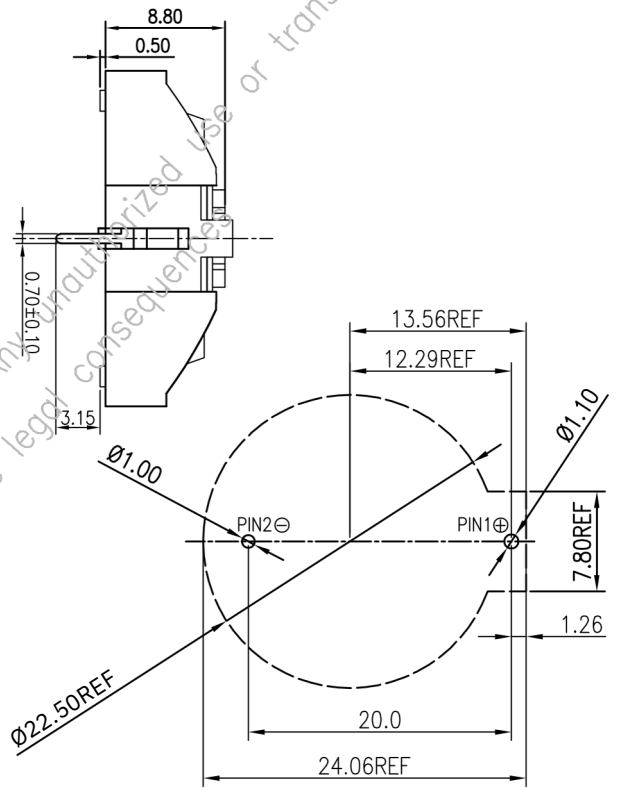
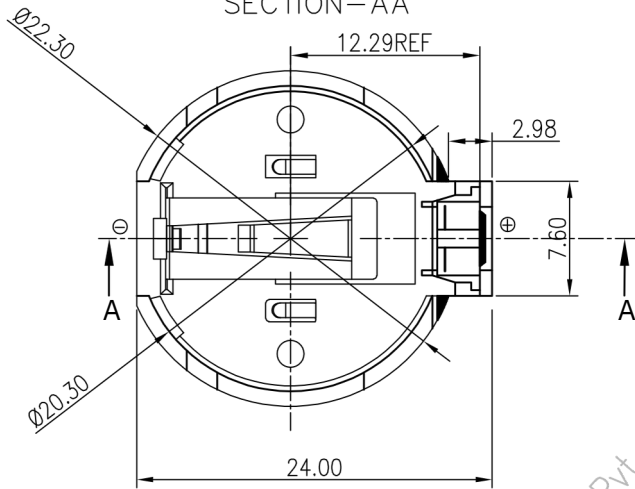
CONTACT RESISTANCE	:	30mΩ MAX
INSULATION RESISTANCE	:	1000MΩ MIN
DIETRIC WITHSTAND	:	1000V AC/MINUTE

### ENVIRONMENTAL DATA

SOLDERING TEMPERATURE	:	260±5°C
-----------------------	---	---------

**DESCRIPTION : COIN BATTERY HOLDER, HORIZONTAL MOUNT**
**PART NO: PBATH11-20-19**


SECTION-AA



RECOMMENDED P.C.B. LAYOUT(TOP VIEW)

(PCB THICKNESS: T=1.60mm)(TOLERANCE: ±0.05)

Projection:



Scale: NTS

Sht. Size: A4

 Gen. Tol.: ±0.35mm  
 ±1\*

 ALL DIMENSIONS ARE IN MM.  
 IF UNLESS OTHERWISE SPECIFIED.