

**DESCRIPTION** : COIN BATTERY HOLDER, VERTICAL MOUNT

**PART NO:** PBATH1-20-19

RoHS



### PHYSICAL DATA

INSULATION

MATERIAL : THERMOPLASTIC, BLACK COLOR, UL94V-0

CONTACT : BRASS, TIN PLATED

### ELECTRICAL DATA

INSULATION RESISTANCE : 1000M OHMS AT 100V

DIELECTRIC WITHSTANDING : 750V AC

CONTACT RESISTANCE : 30m OHMS (Max.)

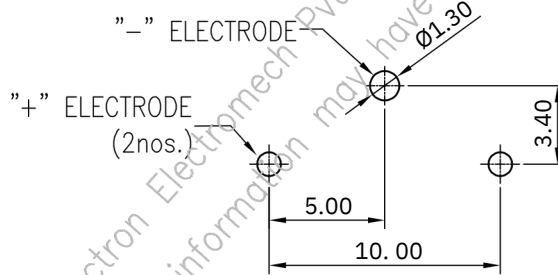
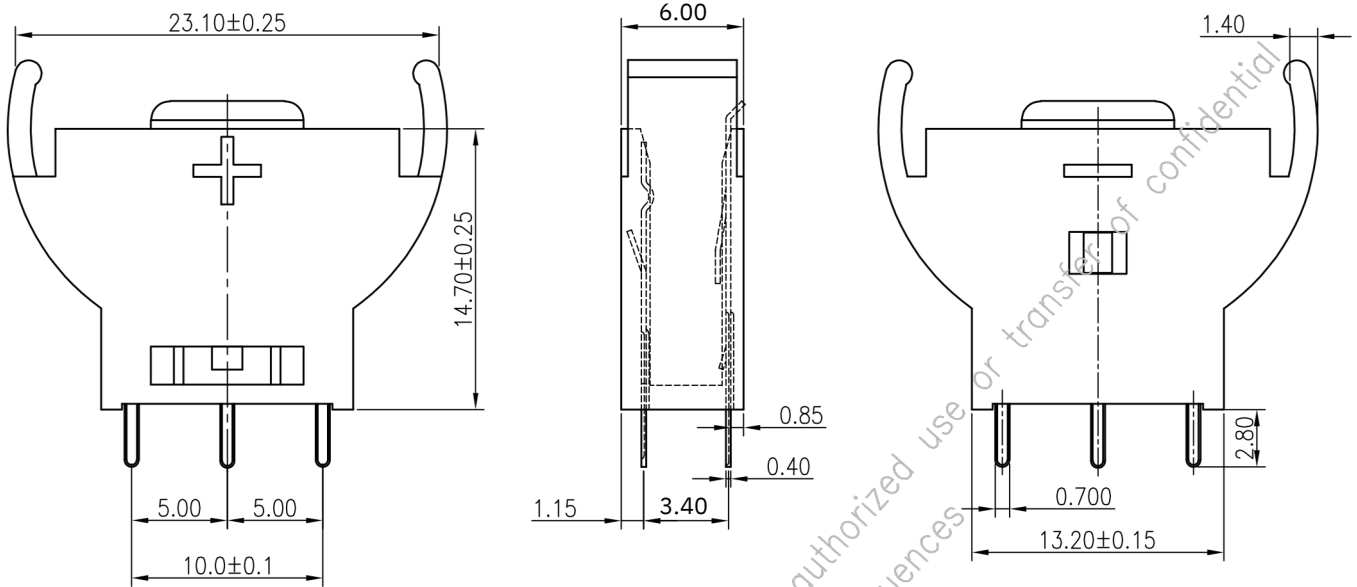
### ENVIRONMENTAL DATA

TEMPERATURE RANGE : -55°C TO +85°C



**DESCRIPTION** : COIN BATTERY HOLDER, VERTICAL MOUNT

**PART NO:** PBATH1-20-19



Projection:



Scale: NTS

Sht. Size: A4

Gen. Tol.:  $\pm 0.30\text{mm}$   
 $\pm 2^\circ$

ALL DIMENSIONS ARE IN MM.  
IF UNLESS OTHERWISE SPECIFIED.