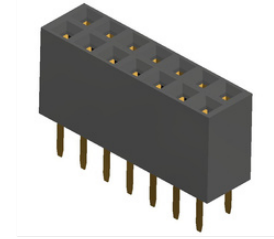




DESCRIPTION : FEMALE HEADER 2.0mm PITCH, WITH
POLARIZATION PAD, PROFILE=4.0mm

PART NO: P9713-XX-21
XX : NO OF CONTACTS

RoHS



PHYSICAL DATA

MATERIAL DATA:

HOUSING : THERMOPLASTIC, UL 94V-0
PIN HEADER : COPPER ALLOY, Au OR Sn OVER Ni PLATING

ELECTRICAL DATA

RATED CURRENT : 2.0AMP
CONTACT RESISTANCE : 20m OHMS MAX.
INSULATION RESISTANCE : 5000M OHMS MIN.
DIELECTRIC VOLTAGE : 500V AC FOR 1minute

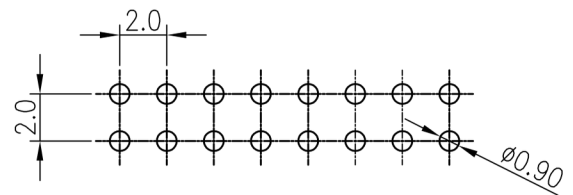
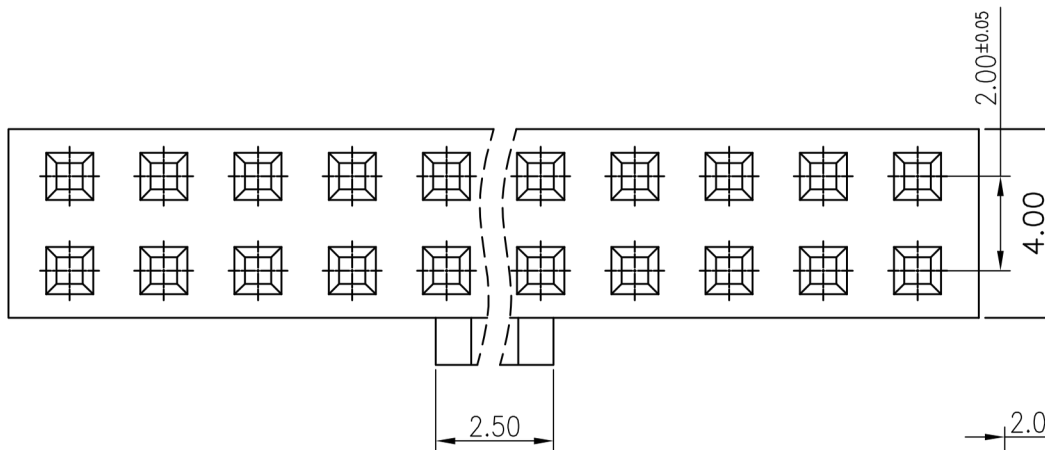
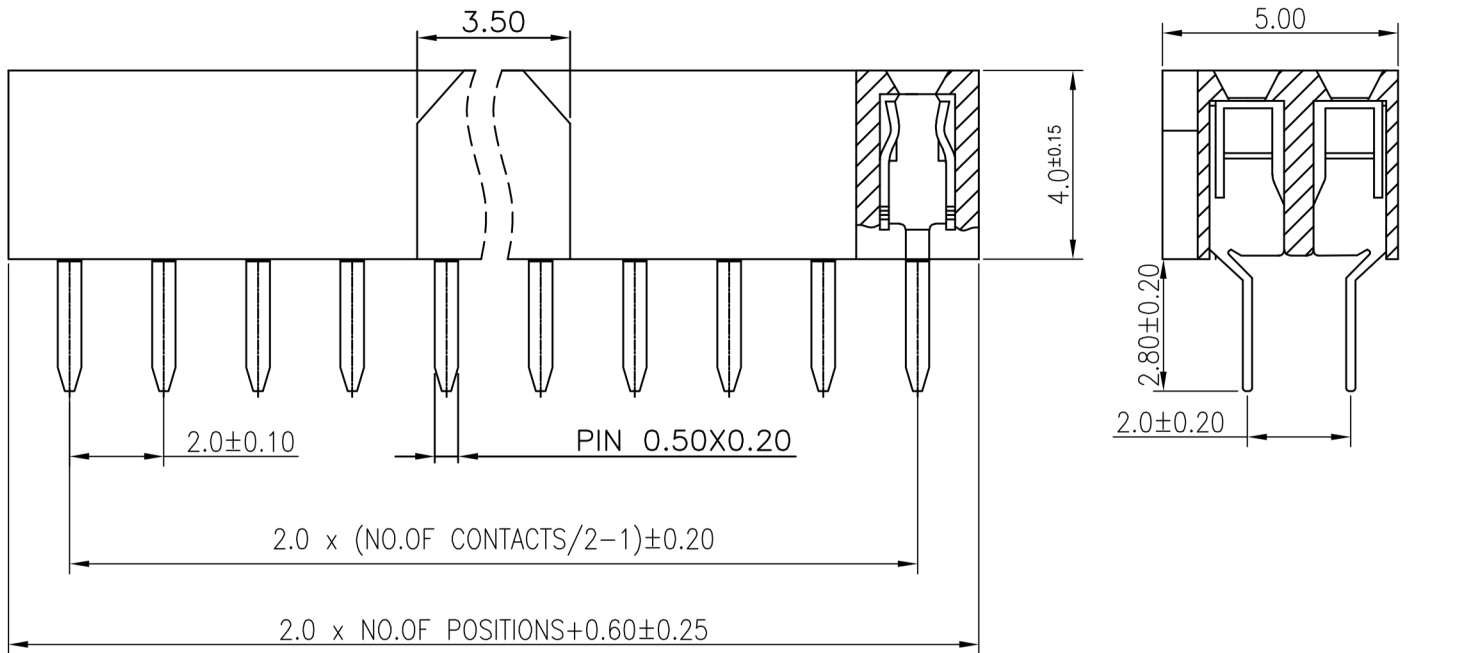
ENVIRONMENTAL DATA

TEMPERATURE RANGE : -40°C ~ +105°C
SOLDERING TEMPERATURE : 245°C±5° FOR 5SEC



DESCRIPTION : FEMALE HEADER 2.0mm PITCH, WITH
POLARIZATION PAD, PROFILE=4.0mm

PART NO: P9713-XX-21
XX : NO OF CONTACTS



Projection:



Scale: NTS

Sht. Size: A4

Gen. Tol.: $\pm 0.35\text{mm}$
 $\pm 2'$

ALL DIMENSIONS ARE IN MM.
IF UNLESS OTHERWISE SPECIFIED.