

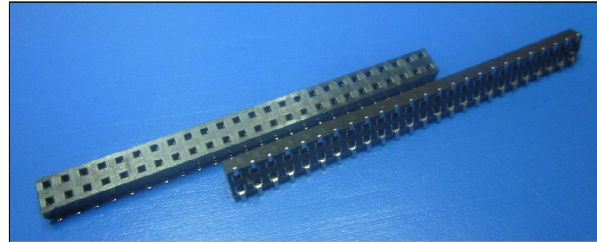


PROTECTRON ELECTROMECH (P) LTD

DESCRIPTION : FEMALE HEADER 2.0mm PITCH, SMT 4.3mm
BASE WITHOUT ALIGNMENT

PART NO: P9415BXX-21
XX=NO. OF CONTACTS (6-80)

RoHS



PHYSICAL DATA

INSULATION

MATERIAL : POLYESTER
FLAMMABILITY : UL94V-0
COLOR : BLACK

CONTACT

MATERIAL : PHOSPHOR BRONZE
FINISH : GOLD FLASH

ELECTRICAL DATA

CURRENT RATING : 1A
CONTACT RESISTANCE : 20m OHMS MAX
INSULATION RESISTANCE : 5000M OHMS MIN
DIELECTRIC WITHSTANDING : 500V AC/MIN

MECHANICAL DATA

INSERTION FORCE : 0.7N AVG
WITHDRAWAL FORCE : 0.5N AVG

ENVIRONMENTAL DATA

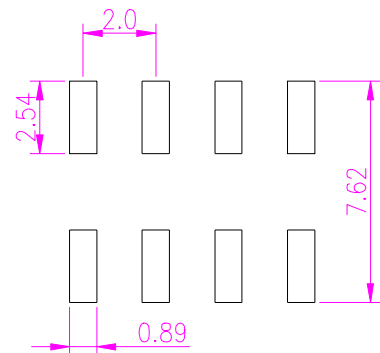
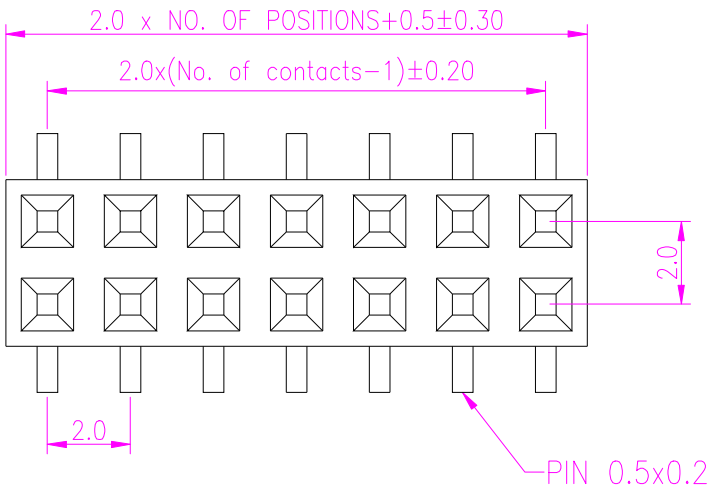
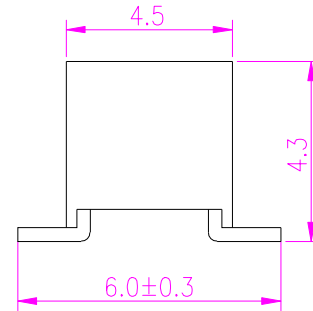
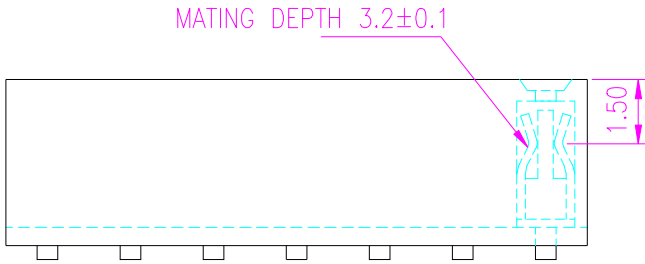
TEMPERATURE RANGE : -40°C TO +105°C



PROTECTRON ELECTROMECH (P) LTD

DESCRIPTION : FEMALE HEADER 2.0mm PITCH, SMT 4.3mm
BASE WITHOUT ALIGNMENT

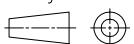
PART NO: P9415BXX-21
XX=NO. OF CONTACTS (6-80)



RECOMMENDED PCB LAYOUT
(PCB TOLERANCE ± 0.05)

A2	TAIL LENGTH IS CHANGED FROM 6.0mm TO 6.20mm	VENILA	13.12.2014	SACHIN	V.RAMANI
A1	INSULATOR WIDTH IS CHANGED FROM 4mm TO 4.5mm	ANIL	07.08.2008		
A	ORIGINAL	SANDHYA	05.09.2005		
REV.	DESCRIPTION	DRN. BY	DATE	CK'ED BY	APP'D BY

Projection:



Scale: NTS

Sht. Size: A4

Gen. Tol.: $\pm 0.35\text{mm}$
 $\pm 1^\circ$

ALL DIMENSIONS ARE IN MM.
IF UNLESS OTHERWISE SPECIFIED.