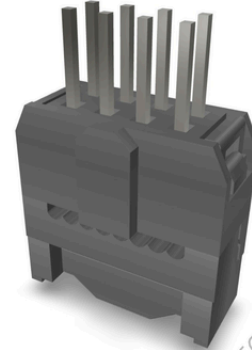




**DESCRIPTION** : 2mm PITCH DIP PLUG

**PART NO:** P9413IDSA-XX-24  
XX=NO. OF CONTACTS(08-60)

RoHS



### PHYSICAL

INSULATION	
MATERIAL	: PBT
CONTACT	: COPPER ALLOY, TIN-PLATED
FLAMMABILITY	: UL94V-0
PACKAGING TYPE	: TUBE/TRAY

### ELECTRICAL

CURRENT RATING	: 1A
INSULATION RESISTANCE	: 1000M OHMS MIN
DIELECTRIC WITHSTANDING	: 500V AC/MIN
CONTACT RESISTANCE	: 20m OHMS MAX

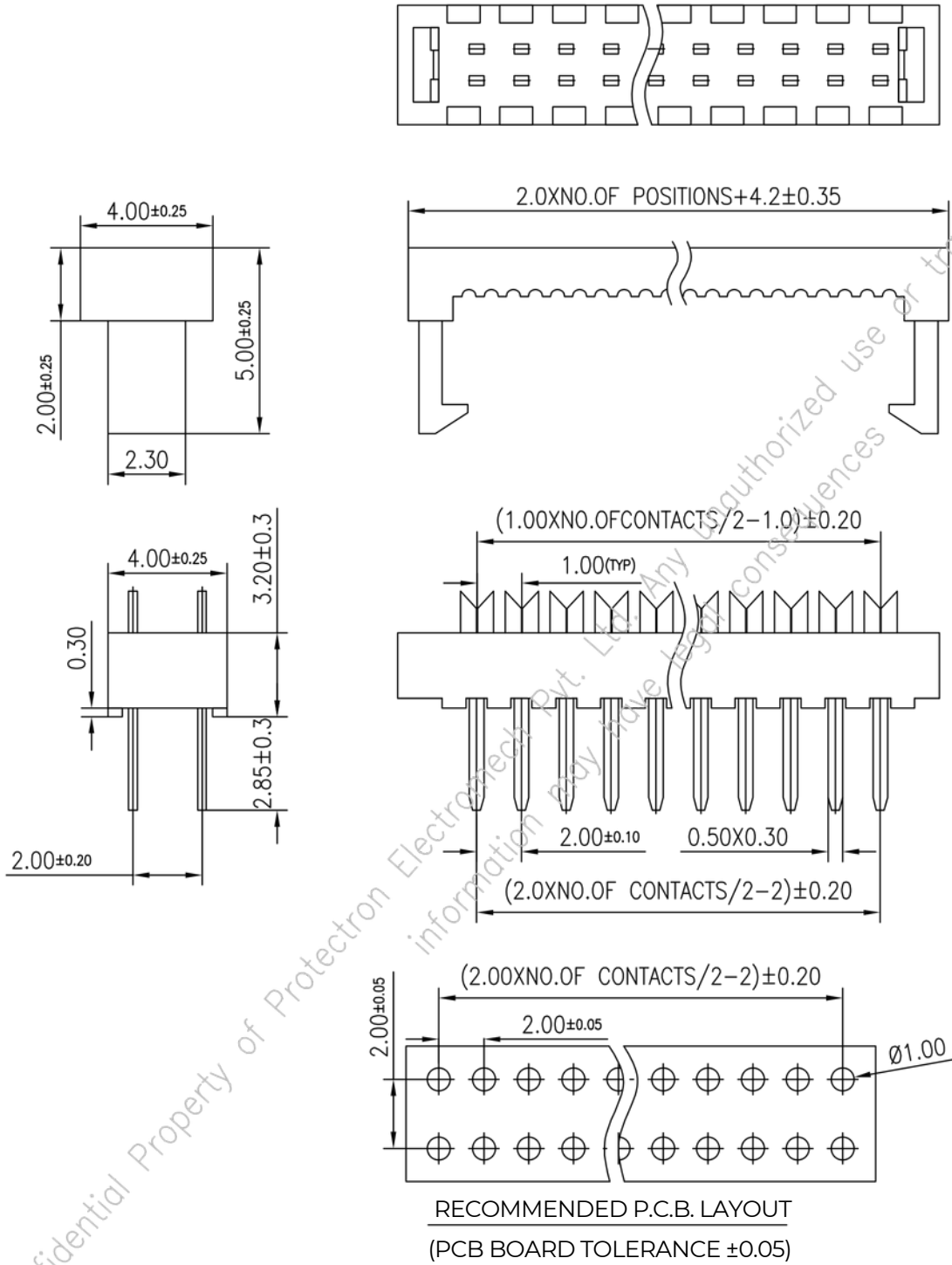
### ENVIRONMENTAL DATA

TEMPERATURE RANGE	: -40°C TO +105°C
PROCESS RATING	: 180°C FOR 5SEC



**DESCRIPTION :** 2mm PITCH DIP PLUG

**PART NO:** P9413IDSA-XX-24  
**XX=NO. OF CONTACTS(08-60)**



Scale: NTS

Sht. Size: A4

Gen. Tol.:  $\pm 0.35$ mm  
 $\pm 1^\circ$

ALL DIMENSIONS ARE IN MM.  
IF UNLESS OTHERWISE SPECIFIED.