



PROTECTRON ELECTROMECH (P) LTD

DESCRIPTION : 2.54 mm PITCH DIP PLUG SOCKET

PART NO:P9403IDSA-XX-24

XX=NO OF CONTACTS(06-64)

RoHS



PHYSICAL

INSULATION

MATERIAL	:	THERMOPLASTIC
FLAMMABILITY	:	UL94V-0
COLOR	:	BLACK

CONTACT

MATERIAL	:	PHOSPHOR BRONZE
SOLDER TAILS	:	SELECTIVE GOLD PLATED
PACKAGING TYPE	:	TUBE/TRAY

ELECTRICAL

CURRENT RATING	:	3A
INSULATION RESISTANCE	:	5000M OHMS MIN
DIELECTRIC WITHSTANDING	:	1000V AC/MIN
CONTACT RESISTANCE	:	20m OHMS MAX.

ENVIRONMENTAL DATA

TEMPERATURE RANGE	:	-40°C TO +105°C
PROCESS RATING	:	180°C FOR 5SEC

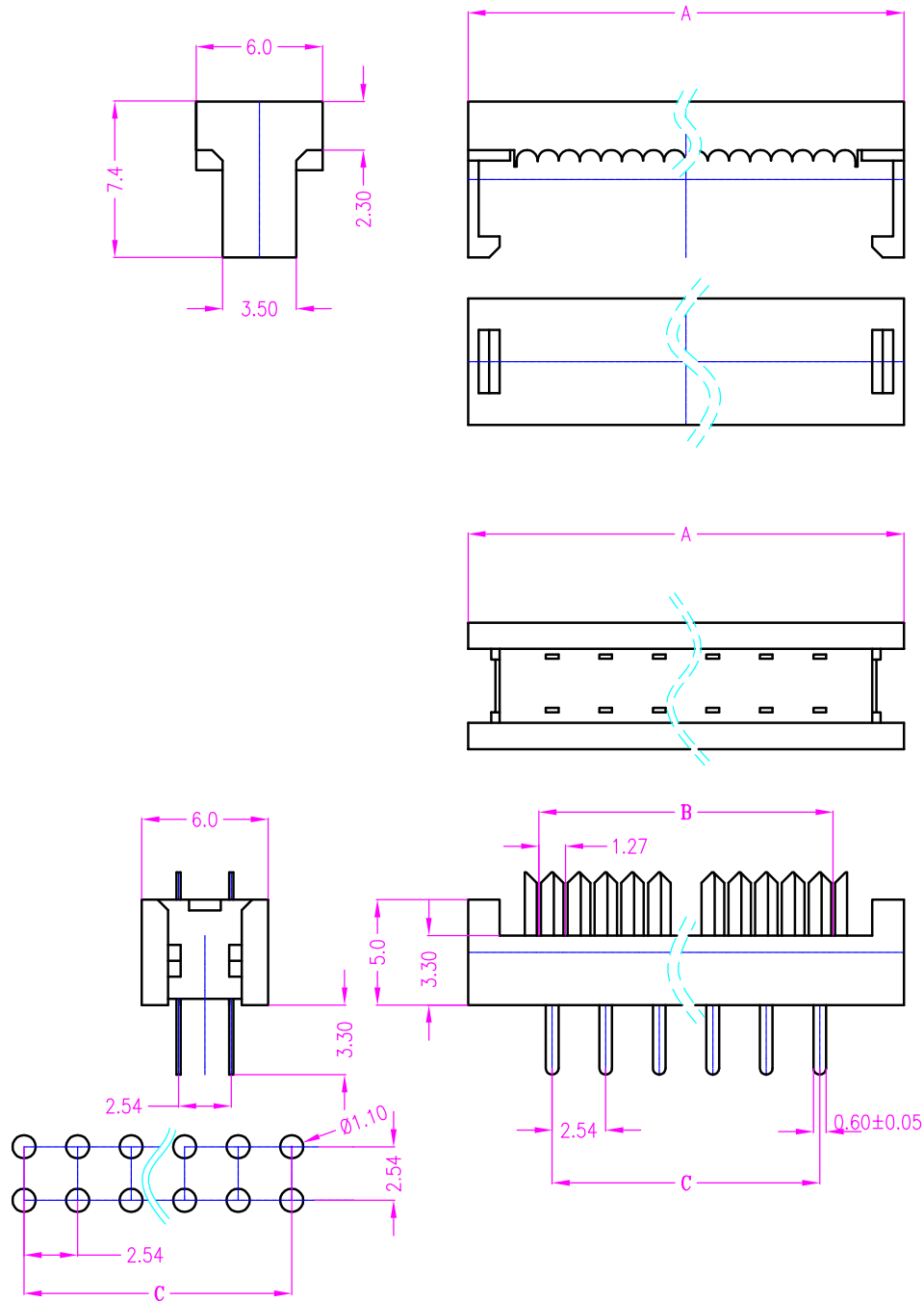


PROTECTRON ELECTROMECH (P) LTD

DESCRIPTION : 2.54 mm PITCH DIP PLUG SOCKET

PART NO:P9403IDSA-XX-24

XX=NO OF CONTACTS(06-64)



RECOMMENDED P.C.B LAYOUT LAYOUT TOLERANCE=±0.05mm

A	ORIGINAL	RAVISH.S	01.06.2010		
REV.	DESCRIPTION	DRN. BY	DATE	CK'ED BY	APP'D BY
Projection: 	Scale: NTS	Sht. Size: A4	Gen. Tol.: ±0.3mm ±2'	ALL DIMENSIONS ARE IN MM. IF UNLESS OTHERWISE SPECIFIED.	

<http://www.protectron.in>
protectron@protectron.in



PROTECTRON ELECTROMECH (P) LTD

DESCRIPTION : 2.54 mm PITCH DIP PLUG SOCKET

PART NO:P9403IDSA-XX-24

XX=NO OF CONTACTS(06-64)

PIN	DIMENSIONS		
	A	B	C
06	13.07	6.35	5.08
08	15.61	8.89	7.62
10	18.15	11.43	10.16
12	20.69	13.97	12.70
14	23.23	16.51	15.24
16	25.77	19.05	17.78
18	28.31	21.59	20.32
20	30.85	24.13	22.86
24	35.93	29.21	27.94
26	38.47	31.75	30.48
30	43.55	36.83	35.56
34	48.63	41.91	40.64
36	51.17	44.45	43.18
40	56.25	49.53	48.26
50	68.95	62.23	60.96
60	81.65	74.93	73.66
64	86.73	80.01	78.74

ORDERING INFORMATION

P9403IDSA-XX-24

NO OF CONTACTS
(06-64)

MOQ- ----

SPQ- ----