

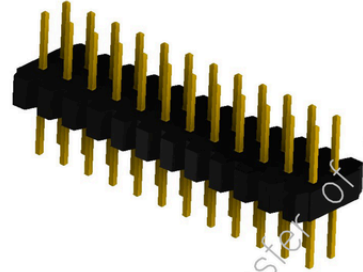


DESCRIPTION :PIN HEADER 1.00mm PITCH DOUBLE ROW,
STRAIGHT, RoHS

PART NO: P9143-XXX66-1



RoHS



PHYSICAL DATA

INSULATION

MATERIAL : POLYESTER, UL 94V-0
CONTACT : COPPER ALLOY, GOLD PLATED
PACKAGING TYPE : STANDARD PACKING

ELECTRICAL DATA

CURRENT RATING : 0.75A
INSULATION RESISTANCE : 500MΩ MIN
WITHSTANDING VOLTAGE : 500V AC FOR MINUTE

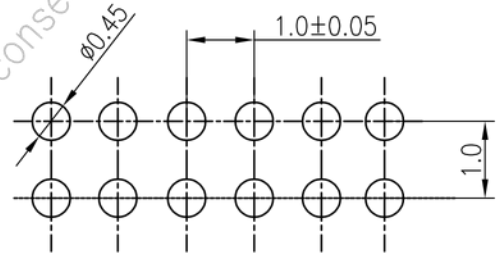
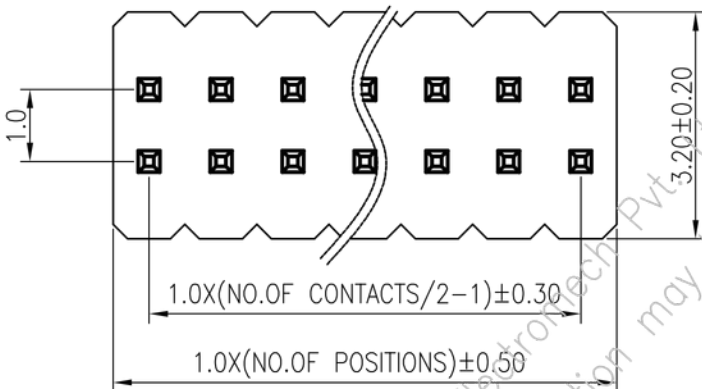
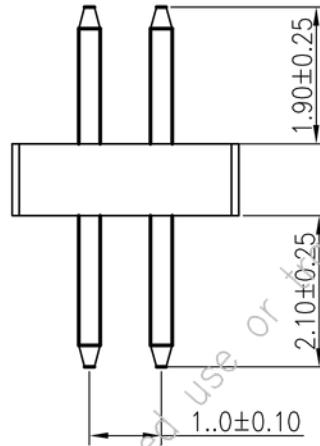
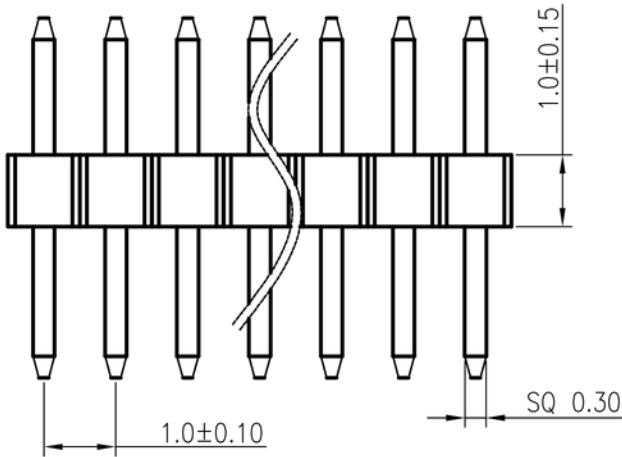
TEMPERATURE DATA

OPERATING TEMP. RANGE : -40°C TO +105°C



DESCRIPTION :PIN HEADER 1.00mm PITCH DOUBLE ROW,
STRAIGHT, RoHS

PART NO: P9143-XXX66-1



RECOMMENDED PCB LAYOUT
(PCB TOLERANCE ±0.05)

ORDERING INFORMATION

P9143-XXX66-1

NO.OF CONTACTS

Projection:



Scale: NTS

Sht. Size: A4

Gen. Tol.: ±0.3mm
±2°

ALL DIMENSIONS ARE IN MM.
IF UNLESS OTHERWISE SPECIFIED.