



DESCRIPTION : CRIMP TERMINAL FOR 2.0mm PITCH HOUSING

PART NO: P911XT00-12

RoHS

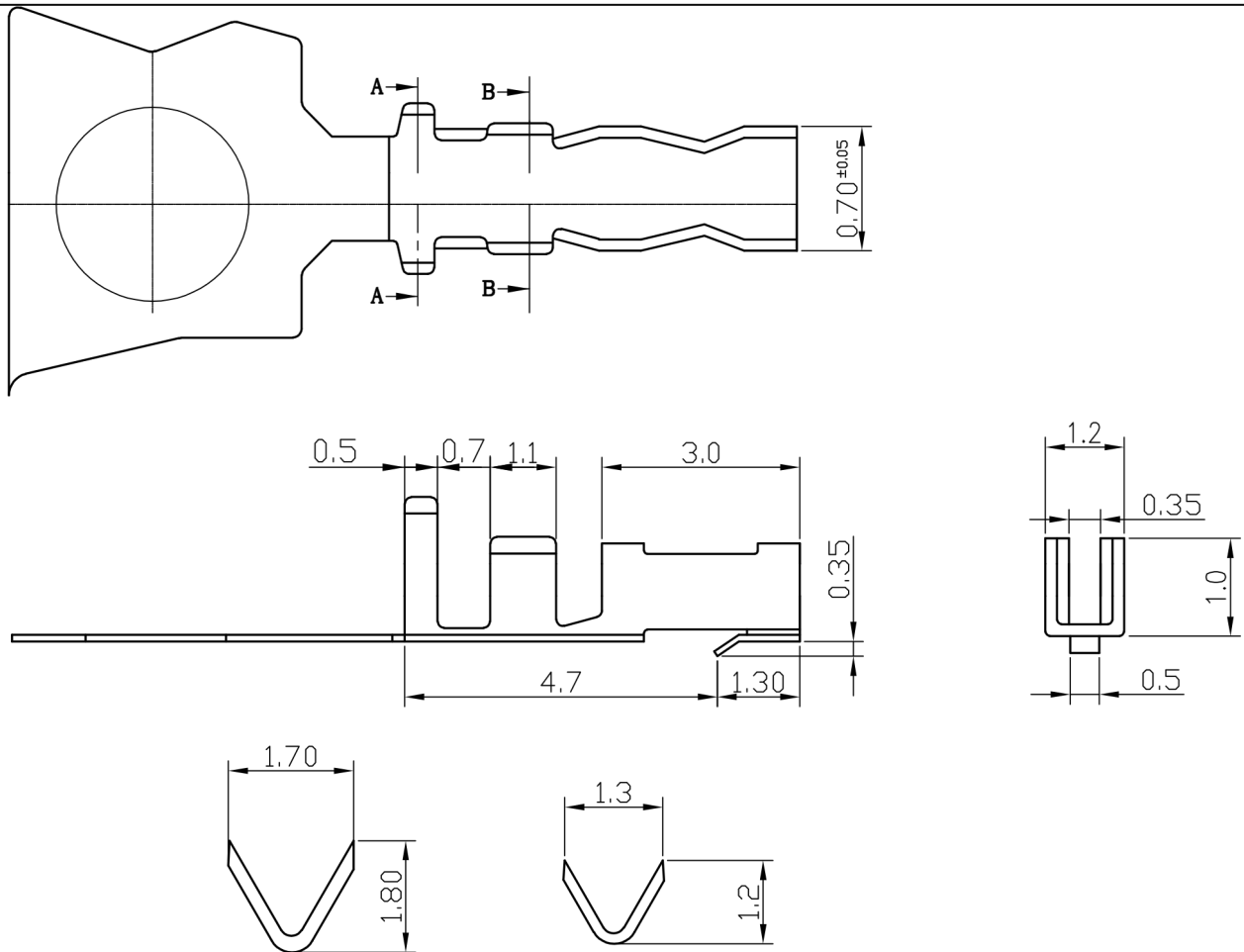


PHYSICAL DATA

MATERIAL : BRASS, GOLD PLATED(1μ")

APPLICABLE WIRE : AWG#26~#30

INSULATION OD : 1.35mm Max
MATING CONNECTOR : P9111H & P9113H HOUSING



SECTION A-A

SECTION B-B

Projection:

Scale: NTS

Sht. Size: A4

Gen. Tol.: ± 0.5 mm
 $\pm 2^\circ$

ALL DIMENSIONS ARE IN MM.
IF UNLESS OTHERWISE SPECIFIED.