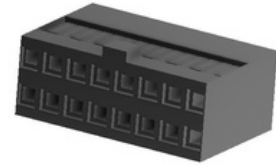




DESCRIPTION : 2.54mm PITCH DOUBLE ROW MINI LATCH
HOUSING

PART NO: P9103H50-00XX
XX=NO OF CONTACTS(2-80)

RoHS



PHYSICAL

INSULATION

MATERIAL : POLYESTER

FLAMMABILITY : UL94V-1

COLOR : BLACK

PACKAGING TYPE : BULK PACKING

ELECTRICAL

CURRENT RATING : 3A

INSULATION RESISTANCE : 1000M OHMS MIN

DIELECTRIC WITHSTANDING : 1000V AC/MIN

CONTACT RESISTANCE : 20m OHMS MAX

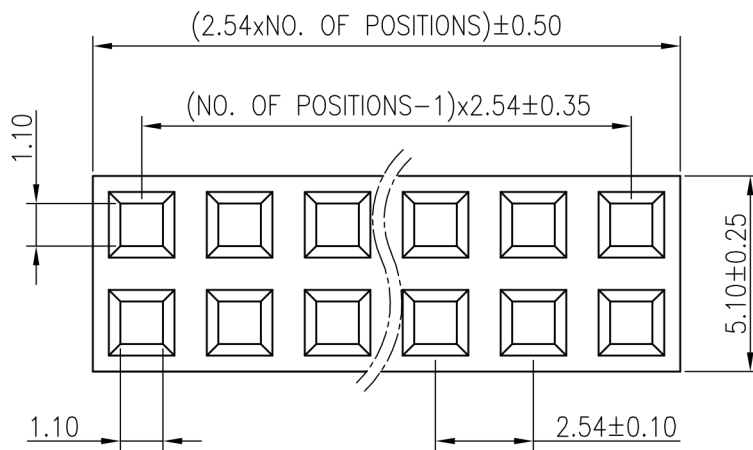
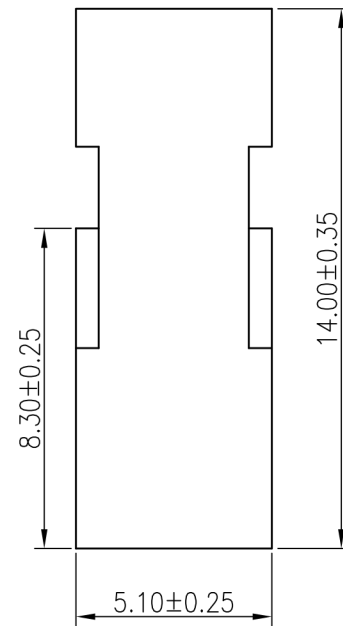
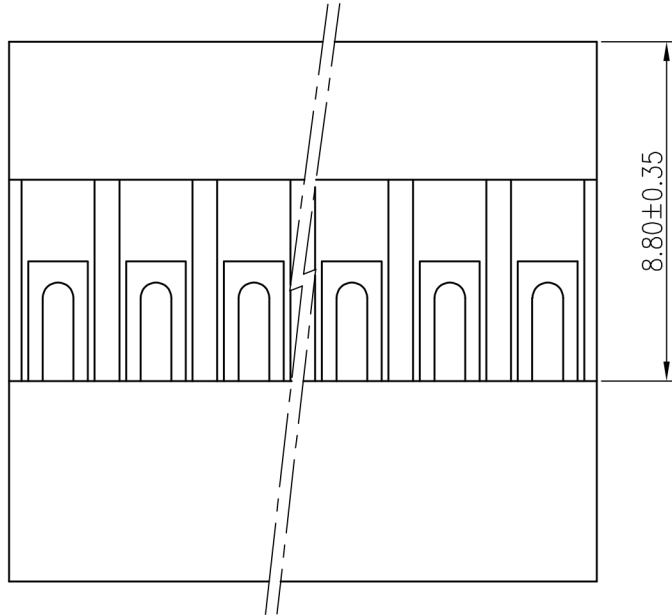
ENVIRONMENTAL DATA

TEMPERATURE RANGE : -25°C TO +125°C



DESCRIPTION : 2.54mm PITCH DOUBLE ROW MINI LATCH HOUSING

PART NO: P9103H50-00XX
XX=NO OF CONTACTS(2-80)



Projection:

Scale: NTS

Sht. Size: A4

Gen. Tol.: ±0.3mm

ALL DIMENSIONS ARE IN MM.
IF UNLESS OTHERWISE SPECIFIED.