

DESCRIPTION : CRIMP TERMINAL FOR 2.0mm PITCH HOUSING, GOLD PLATED, RoHS PART NO: P9086T00-22

RoHS

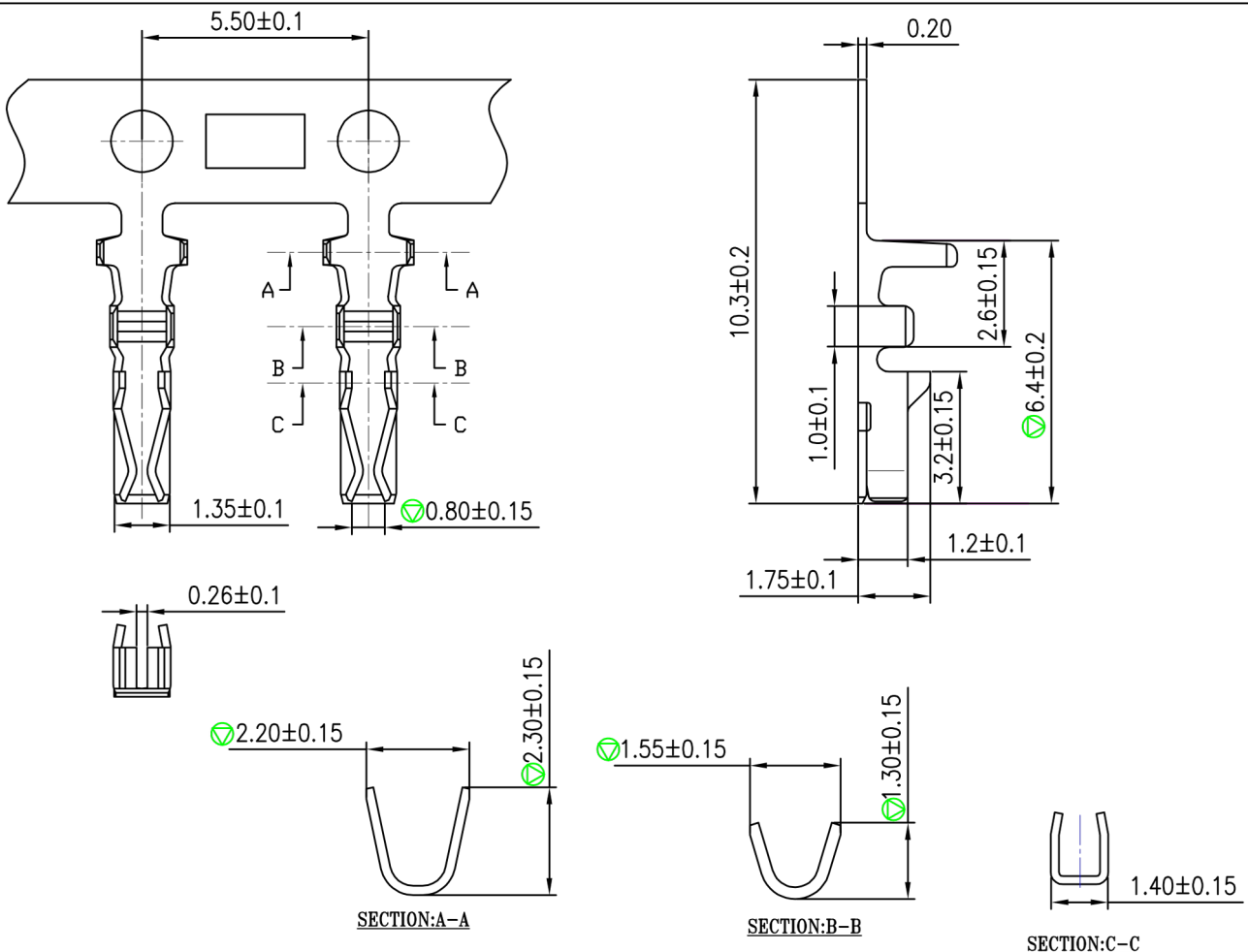


PHYSICAL DATA

MATERIAL : PHOSPHOR BRONZE, GOLD PLATED(1μ")

APPLICABLE WIRE : 22AWG - 30AWG

INSULATION OD : 1.45mm MAX.



NOTE: DIRECTION OF COILING WILL BE IN ANTI CLOCKWISE.

⊗ CRITICAL DIMENSION

Projection:



Scale: NTS

Sht. Size: A4

Gen. Tol.: $\pm 0.5\text{mm}$
 $\pm 2^\circ$

ALL DIMENSIONS ARE IN MM.
IF UNLESS OTHERWISE SPECIFIED.