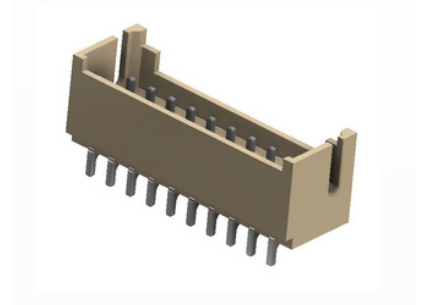


DESCRIPTION : WAFER 1.0mm PITCH, DISCONNECTABLE,
RIGHT ANGLE SURFACE MOUNT, RoHS.

PART NO: P9077R29-19-X

RoHS



PHYSICAL DATA

INSULATION

MATERIAL : PA9T+30%G.F
FLAMMABILITY : UL94V-0

CONTACT

MATERIAL : COPPER ALLOY
FINISH : TIN PLATED

ELECTRICAL DATA

CURRENT RATING : 1A AC/DC
VOLTAGE RATING : 50 V AC/DC
INSULATION RESISTANCE : 100M OHMS MIN
DIELECTRIC WITHSTANDING : 250V AC/MIN
CONTACT RESISTANCE : 20m OHMS MAX

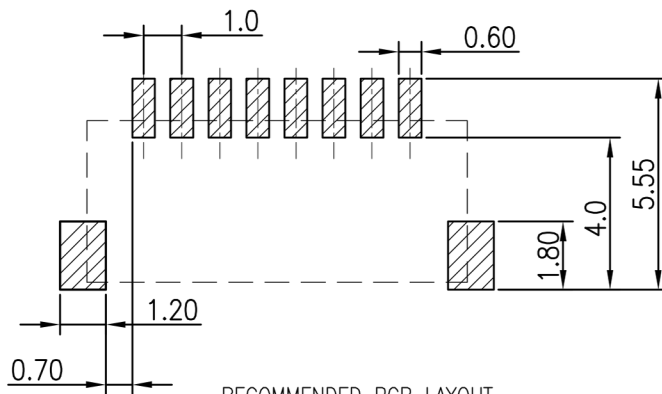
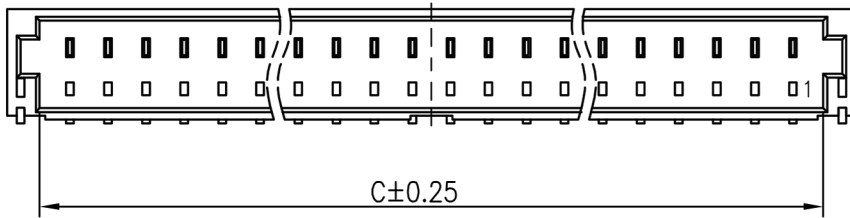
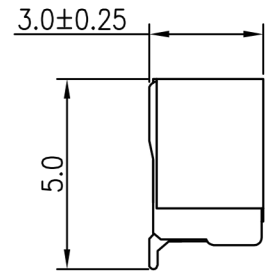
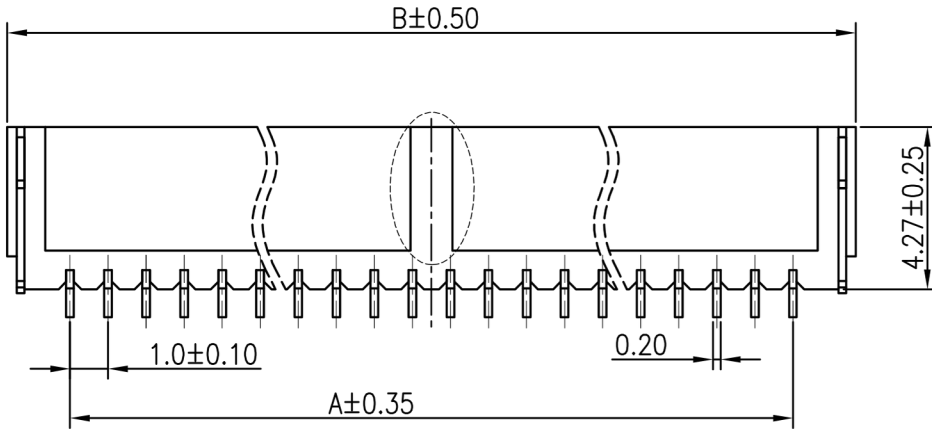
ENVIRONMENTAL DATA

TEMPERATURE RANGE : -25°C TO +85°C



DESCRIPTION : WAFER 1.0mm PITCH, DISCONNECTABLE,
RIGHT ANGLE SURFACE MOUNT, RoHS.

PART NO: P9077R29-19-X



RECOMMENDED PCB LAYOUT
(PCB TOLERANCE ± 0.05)

NO. OF WAYS	DIMENSION			PART NUMBER
	A	B	C	
02	1.00	4.30	2.60	P9077R29-19-2
03	2.00	5.30	3.60	P9077R29-19-3
04	3.00	6.30	4.60	P9077R29-19-4
05	4.00	7.30	5.60	P9077R29-19-5
06	5.00	8.30	6.60	P9077R29-19-6
07	6.00	9.30	7.60	P9077R29-19-7
08	7.00	10.30	8.60	P9077R29-19-8
09	8.00	11.30	9.60	P9077R29-19-9
10	9.00	12.30	10.60	P9077R29-19-A
11	10.00	13.30	11.60	P9077R29-19-B
12	11.00	14.30	12.60	P9077R29-19-C
13	12.00	15.30	13.60	P9077R29-19-D
14	13.00	16.30	14.60	P9077R29-19-E
15	14.00	17.30	15.60	P9077R29-19-F
16	15.00	18.30	16.60	P9077R29-19-G
17	16.00	19.30	17.60	P9077R29-19-H
18	17.00	20.30	18.60	P9077R29-19-I
19	18.00	21.30	19.60	P9077R29-19-J
20	19.00	22.30	20.60	P9077R29-19-K

Projection:



Scale: NTS

Sht. Size: A4

Gen. Tol.: ± 0.35 mm

ALL DIMENSIONS ARE IN MM.
IF UNLESS OTHERWISE SPECIFIED.