

DESCRIPTION : CRIMP TERMINAL FOR 2mm PITCH HOUSING

PART NO: P9057T00-29

RoHS 



PHYSICAL DATA

MATERIAL
TERMINAL : PHOSPHOR BRONZE, TIN PLATED
PACKAGING TYPE REEL PACKING

ELECTRICAL DATA

CURRENT RATING : 1A AC/DC
VOLTAGE RATING : 250V AC/DC
CONTACT RESISTANCE : 20mΩ MAX

ENVIRONMENTAL DATA

TEMPERATURE RANGE : 25°C TO 85°C

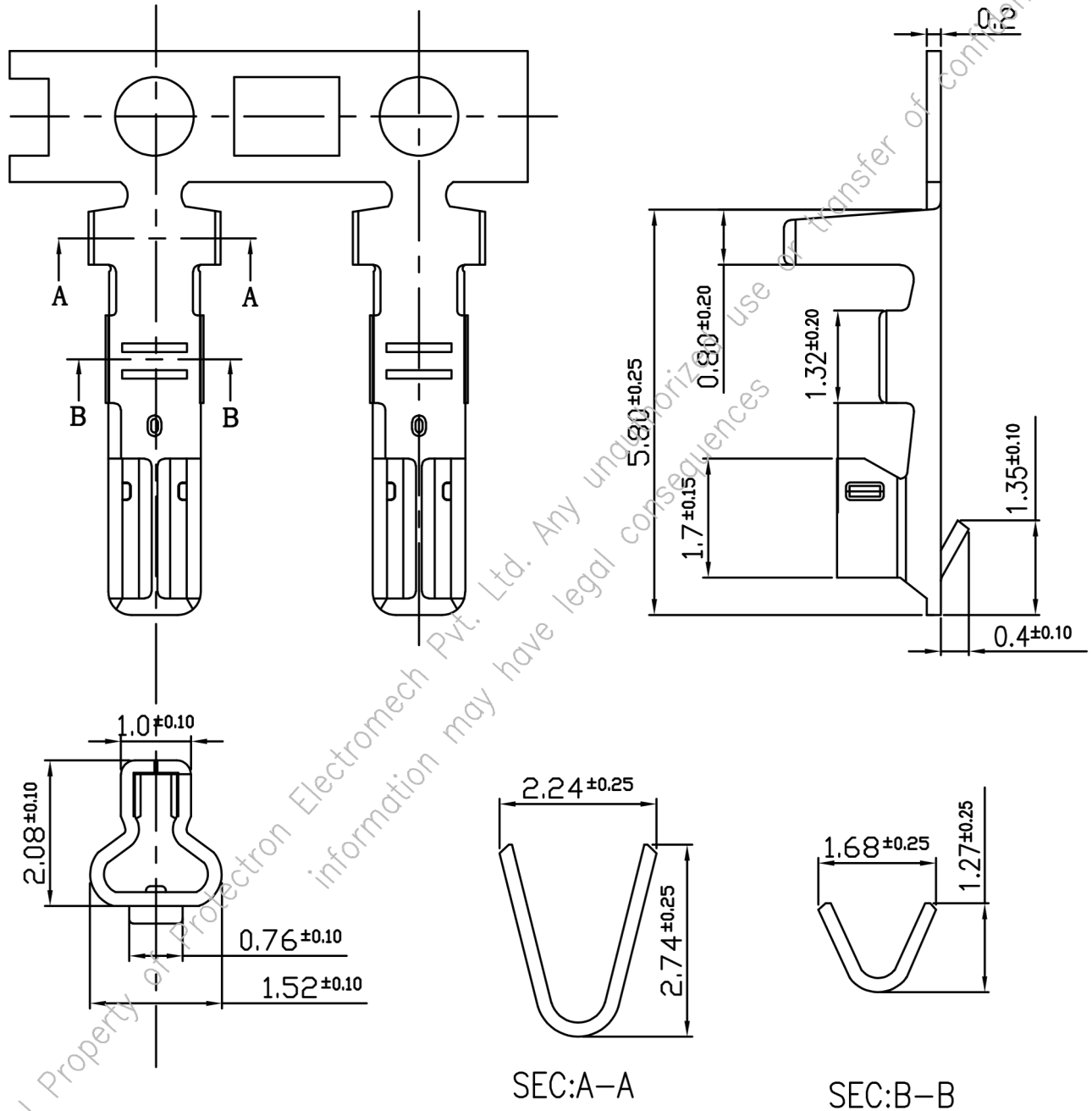
FEATURES

APPLICABLE CABLE : 22-28AWG (INSULATION OUTER DIA 1.40mm MAX)
ASSOCIATED CONNECTORS : P9057H, P9057S, P9057R



DESCRIPTION : CRIMP TERMINAL FOR 2mm PITCH HOUSING

PART NO: P9057T00-29



Projection:



Scale: **NTS**

Sht. Size: **A4**

Gen. Tol.: $\pm 0.1\text{mm}$

ALL DIMENSIONS ARE IN MM.
IF UNLESS OTHERWISE SPECIFIED.